



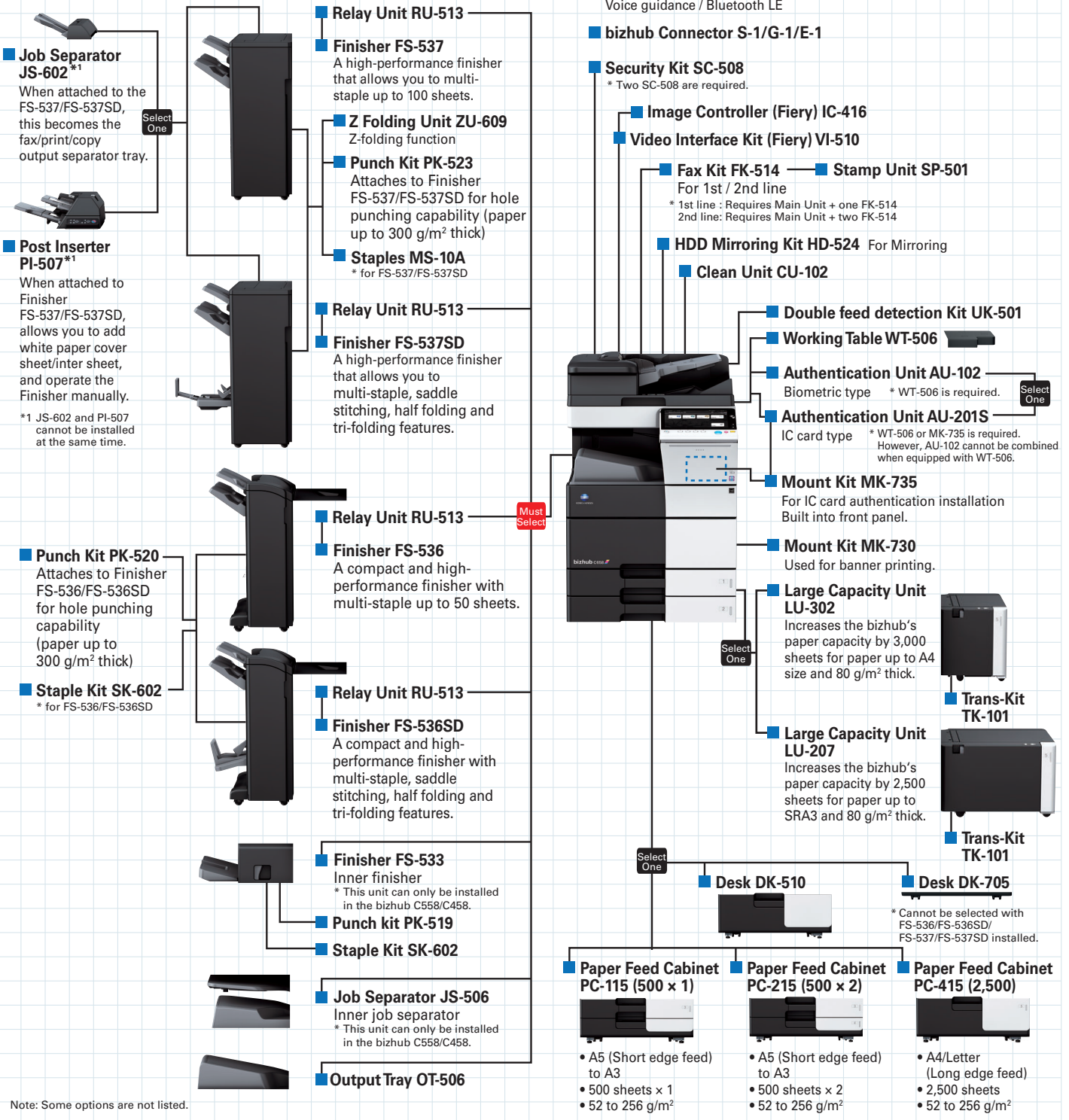
KONICA MINOLTA

bizhub C658/C558/C458 Spec Sheet

System

Select One One of the options may be selected (not mandatory).

Must Select Once of the options must be selected (mandatory).



Note: Some options are not listed.

Giving Shape to Ideas

Specifications

bizhub C658/C558/C458 General Specifications

		bizhub C658	bizhub C558	bizhub C458
Type	Desktop Full Colour Printer / Copier / Scanner			
Colour Support	Full colour			
Copy Resolution	Scan	Main: 600 dpi × Sub: 600 dpi		
	Print	1,800 dpi (equivalent) × 600 dpi		
Gradation	256			
Memory Capacity (Std./Max.)	4 GB			
HDD	250 GB			
Original Type	Sheets, Books, Objects			
Max. Original Size	A3 (11" × 17")			
Output Size	Main unit: SRA3 ¹ , A3 wide (311.1 × 457.2 mm, 304.8 × 457.2 mm), A3 to A5 Multiple bypass tray: SRA3, A3 wide (304.8 × 457.2 mm), A3 to A5, B6 ² , A6 ² , Foolscap ² (8-1/2" × 13-1/2", 200 × 330 mm, 8-1/8" × 13-1/4", 8-1/2" × 13", 8-1/4" × 13", 8" × 13"), 8K, 16K, Banner paper (210 × 457.3 to 297 × 1,200 mm) ^{2,4}			
Image Loss	Max. 4.2 mm or less for top edge (5 mm for thin paper), Max. 3.0 mm or less for bottom edge, Max. 3.0 mm or less for right/left edges *A loss of 4.2 mm each during printing.			
Warm-Up Time ⁵ (23°C, std. voltage)	* The time required to start printing when both the main power and sub-power switches are turned OFF to ON.		Colour/B&W: 35/22 sec. or less	Colour/B&W: 28/28 sec. or less
	* The time required to start printing when the main power switch is ON and the sub-power switch is turned OFF to ON.		Colour/B&W: 35/22 sec. or less	Colour/B&W: 28/28 sec. or less
First Copy Out Time ⁶	Colour: 4.0 sec. or less	Colour: 4.4 sec. or less B&W: 3.0 sec. or less	Colour: 5.1 sec. or less B&W: 3.5 sec. or less	Colour/B&W: 25/25 sec. or less
Copy Speed (A4)	Colour/B&W: 65 ppm	Colour/B&W: 55 ppm	Colour/B&W: 45 ppm	
Copy Magnification	Fixed Same Magnification	1: 1±0.5% or less		
	Scaling Up	1: 1.154/1.224/1.414/2.000		
	Scaling Down	1: 0.866/0.816/0.707/0.500		
	Preset	3 types		
	Zoom	25 to 400% (in 0.1% increments)		
Lengthwise Crosswise Individual Settings	25 to 400% (in 0.1% increments)			
Paper Capacity (80 g/m ²)	Tray 1	500 sheets (up to A3)		
	Tray 2	500 sheets (up to SRA3)		
	Multiple Bypass Tray	150 sheets (up to SRA3)		
Max. Paper Capacity (80 g/m ²) ⁷	6,650 sheets			
Paper Weight	Tray 1 / 2	52 to 256 g/m ²		
	Multiple Bypass Tray	60 to 300 g/m ²		
Multiple Copy	1 to 9,999 sheets			
Auto Duplex	Paper Size	Width: 100 to 320 mm, Length: 148 to 457.2 mm		
	Paper Weight	52 to 256 g/m ²		
Power Requirements	AC220 to 240 V 9 A (50 to 60 Hz)			
Max. Power Consumption	2.1 kW or less		2.0 kW or less	
Dimensions [W] × [D] × [H]	615 × 693 × 961 mm (24-1/4" × 27-1/4" × 37-3/4")			
Weight	Approx. 110 kg (242-1/2 lb)			
Space Requirements [W] × [D] ⁸	937 × 1,267 mm (37" × 50")			

- *1 SRA3 paper can be used in Tray2. *2 Short edge feed *3 Set by Customer engineer
 *4 Printing on banner paper can only be performed from a PC.
 *5 May vary depending on the operating environment and usage.
 *6 A4 long edge feed full size/using the first tray/scanning from the original glass surface.
 *7 With options installed.
 *8 Without options, with paper trays pulled out, and multiple bypass tray, auxiliary tray and ADF opened.

Printer Specifications

Type	Embedded	
CPU	SOC (1,600 MHz) (DualCore)	
Memory	Shared with the copier	
Print Speed	Same as Copy Speed (when using the same original)	
HDD	250 GB (Shared with the copier)	
Print Resolution	1,800 dpi (equivalent) × 600 dpi (at smoothing) or 1,200 dpi × 1,200 dpi (in 1,200 dpi mode) ¹	
PDL	PCL 5e/c Emulation, PCL 6 Emulation, PostScript 3 (3016) Emulation, XPS (Ver.1.0)	
Protocol	TCP/IP (LPD, Raw, SMB, IPP)	
Support OS	Windows Vista ² / 7 ² / 8.1 ² / 10 ² Windows Server 2008 ² / 2008 R2 / 2012 / 2012 R2 Mac OS X (10.7 / 10.8 / 10.9 / 10.10 / 10.11) Linux	
Fonts	PCL	80 Roman fonts
	PS	137 Roman Type1 fonts
Interface	Ethernet (10BASE-T/100BASE-TX/1000BASE-T), USB 1.1, USB 2.0, USB Host	

- *1 Output speed will be reduced.
 *2 Supports the 32-bit (x86) or 64-bit (x64) environment.

Scanning Specifications

Type	Full-Colour Scanner	
Interface	Ethernet (10BASE-T/100BASE-TX/1000BASE-T)	
Driver	TWAIN Driver, HDD TWAIN Driver	
Protocol	TCP/IP (FTP, SMB, SMTP, WebDAV) (IPv4/IPv6)	
Scanning Speed (Colour/B&W) (300 dpi, A4)	Simplex	120 opm
	Duplex	240 opm
Scanning Size	Max. A3 (11" × 17")	
Output Format	TIFF, JPEG, PDF, Compact PDF, XPS, Compact XPS, OOXML (pptx, xlsx*, docx*), Searchable PDF*, PDF/A*, Linearised PDF* *Optional	
Scanning Resolution	Push	200 dpi / 300 dpi / 400 dpi / 600 dpi
	Pull	100 dpi / 200 dpi / 300 dpi / 400 dpi / 600 dpi
Main Functions	Scan to E-Mail, Scan to FTP, Scan to BOX (HDD), Scan to PC (SMB), Network TWAIN, Scan to WebDAV, Scan to Me, Scan to Home, Scan to USB, Scan to Scan Server, Scan to Web Service (WSD-Scan), Device Profile for Web Services (DPWS)	
Other Functions	Multi-Method Send, Authentication at the time of E-Mail send (SMTP authentication, POP before SMTP), S/MIME, Annotation	

Internet Fax

Protocol	SMTP, POP	
Connection Mode	Full-Mode	
Sending Paper Size	A3, B4, A4	
Recording Paper Size	Max. A3	
Resolution	200 × 100 dpi, 200 × 200 dpi, 400 × 400 dpi, 600 × 600 dpi	
Interface	Ethernet (10BASE-T/100BASE-TX/1000BASE-T)	
Colour	Support Colour Internet Fax	
Format	Send: TIFF-F, Receive: TIFF-F, Colour/Grey Scale: TIFF (RFC3949 Profile-C)	

Dual Scan Document Feeder

Type	Single pass simultaneous duplex system	
Support Paper Size	A3 to A6 ¹ , 11" × 17" to 5-1/2" × 8-1/2", Foolscap ² (8-1/2" × 13-1/2", 200 × 330 mm, 8-1/8" × 13-1/4", 8-1/2" × 13", 8-1/4" × 13", or 8" × 13"), 8K, 16K	
Max. Size	Support	
Original Set	Centre guide	
Support Paper Weight	Simplex: 35 to 210 g/m ² , Duplex: 50 to 210 g/m ² , Mixed Original: 50 to 128 g/m ² , FAX Mode: 35 to 210 g/m ² (Simplex), 50 to 210 g/m ² (Duplex)	
Paper Capacity	Max. 300 sheets (80 g/m ²)	
Productivity (A4, 600 dpi, copy mode)	Simplex	Colour/B&W: 120 opm
	Duplex	Colour/B&W: 240 opm
Power Requirements	Supplied from the MFP main body	
Max. Power Consumption	104.5 W or less	
Dimensions [W] × [D] × [H]	618 × 575 × 180 mm (24-1/4" × 22-3/4" × 7")	
Weight	Approx. 15.1 kg (33-1/4 lb)	

- *1 Short edge feed *2 Set by Customer engineer

Fax Kit FK-514 (Optional)

Communication	Super G3	
Compatible Lines	Public Switch Telephone Network, Private Branch Exchange, Fax Communication Line	
Line Density	G3 (8 dot/mm × 3.85 line/mm, 600 × 600 dpi)	
Modem Speed	2.4 to 33.6 kbps	
Compression	MH/MR/MMR/JBIG	
Sending Paper Size	Max. A3 (Long Length Support: Max. 1,000 mm)	
Recording Paper Size	Max. A3 (Long Length Max. 1,000 mm — following the page division —)	
Transmission Speed	Less than 3 sec. (A4, V.34, 33.6 kbps, JBIG)	
Memory	Shared with the copier	
Number of Abbr. Dials	2,000	
Number of Program Dials	400	
Number of Group Dials	100	
Sequential Multiple Station Transmission	Max. 600	

IP Address Fax *Optional Fax Kit FK-514 is required.

Protocol Transmission	SMTP	
Sending Paper Size	A3, B4, A4	
Resolution	200 × 200 dpi, 400 × 400 dpi, 600 × 600 dpi	
Format	Send: TIFF-F, Receive: TIFF-F Colour/Grey Scale: TIFF (RFC3949 Profile-C)	

Fiery Image Controller IC-416 (Optional) *Optional Video Interface Kit VI-510 is required.

Type	Embedded	
CPU	Intel Pentium G850 2.9 GHz	
Memory	2 GB	
HDD	500 GB	
Print Speed	Same as Copy Speed (when using the same original)	
Print Resolution	1,800 dpi (equivalent) × 600 dpi (at smoothing) or 1,200 dpi × 1,200 dpi (in 1,200 dpi mode)	
PDL	PCL 6, Adobe PostScript 3 (3020)	
Protocol	Ethernet (Apple Talk, TCP/IP), HTTP/HTTPS, SSL/TLS for HTTPS, SMB, Port9100 (Bi-Directional), IPP, LDAP, IPv6, SNMP v3	
Support OS	Windows Vista ¹ / 7 ¹ / 8.1 ¹ / 10 ¹ Windows Server 2008 ¹ / 2008 R2 / 2012 / 2012 R2 Mac OS X (10.7 / X 10.8 / X 10.9 / X 10.10 / X 10.11)	
Fonts	Adobe PS 138 Roman fonts, Agfa PCL 80 Roman fonts and 1 bitmap font, Additional PCL 35 fonts, Euro Currency Resident Font	
Interface	Ethernet (10BASE-T/100BASE-TX/1000BASE-T)	

- *1 Supports the 32-bit (x86) or 64-bit (x64) environment.

Finisher FS-533 (For bizhub C558/C458 Only) (Optional)

Type	Finisher	
Support Paper Type	Thin paper/Plain paper (52 to 90 g/m ²), Thick paper (91 to 300 g/m ²), Transparency, Envelope, Label sheet, Letterhead paper, Banner paper, Index paper	
Support Paper Size	SRA3 to A5, B6 ¹ , A6 ¹ , Foolscap ² (8-1/2" × 13-1/2", 200 × 330 mm, 8-1/8" × 13-1/4", 8-1/2" × 13", 8-1/4" × 13", 8" × 13"), 8K, 16K, Banner paper (210 × 457.3 to 297 × 1,200 mm)	
Mode	Sort, Group, Offset Sort, Offset Group, Staple	
Stacking Capacity	500 sheets (52 to 90 g/m ² , A4 ¹ or smaller)	
	250 sheets (52 to 90 g/m ² , B4 or larger)	
	10 sheets (91 to 300 g/m ² , special paper)	
Staple Capacity	50 sheets (52 to 90 g/m ² , A4 ¹ or smaller)	
	30 sheets (52 to 90 g/m ² , B4 or larger)	
	2 sheets (91 to 209 g/m ² , as cover pages)	
Power Requirements	Supplied from the MFP main body	
Max. Power Consumption	40 W or less	
Dimensions [W] × [D] × [H]	472.5 × 583.5 × 194.7 mm (18-1/2" × 23" × 7-3/4")	
Weight	Approx. 12 kg (26-1/2 lb)	

- *1 Short edge feed *2 Set by Customer engineer

Job Separator (For bizhub C558/C458 Only) JS-506 (Optional)

Support Paper Type (Weight)	Tray 1	Thin paper/Plain paper (52 to 90 g/m ²), Thick paper (91 to 300 g/m ²), Transparency, Envelope, Label sheet	
	Tray 2	Thin paper/Plain paper (52 to 90 g/m ²), Thick paper (91 to 300 g/m ²), Transparency, Envelope, Label sheet, Banner paper	
Support Paper Size	SRA3 to A5, B6 ¹ , A6 ¹ , Foolscap ² (8-1/2" × 13-1/2", 200 × 330 mm, 8-1/8" × 13-1/4", 8-1/2" × 13", 8-1/4" × 13", 8" × 13"), 8K, 16K, Banner paper (210 × 457.3 to 297 × 1,200 mm)		
Stacking Capacity	Tray 1	100 sheets (52 to 90 g/m ²)	
	Tray 2	150 sheets (52 to 90 g/m ²)	
Power Requirements	Supplied from MFP main body		
Max. Power Consumption	24 W or less		
Dimensions [W] × [D] × [H]	451 × 469 × 130 mm (17-3/4" × 18-7/16" × 5-1/8")		
Weight	Approx. 1.5 kg (3-1/4 lb)		

- *1 Short edge feed *2 Set by Customer engineer

Specifications



Finisher FS-536 (Optional)

Type	Finisher	
Support Paper Type	Thin paper/Plain paper (52 to 90 g/m ²), Thick paper (91 to 300 g/m ²), Transparency, Envelope, Label sheet, Letterhead paper, Banner paper, Index paper	
Support Paper Size	SRA3 to A5, B6 ⁺ , A6 ⁺ , Foolscap ⁺ (8-1/2" × 13-1/2", 200 × 330 mm, 8-1/8" × 13-1/4", 8-1/2" × 13", 8-1/4" × 13", 8" × 13"), 8K, 16K, Banner paper (210 × 457.3 to 297 × 1,200 mm)	
Mode	Sort, Group, Offset Sort, Offset Group, Staple	
Stacking Capacity	Output tray 1 (Sub tray)	200 sheets (52 to 90 g/m ²) 20 sheets (91 to 300 g/m ² , special paper)
	Output tray 2 (Main tray)	3,000 sheets (FS-536SD: 2,000 sheets) (52 to 90 g/m ² , A4 ⁺ or smaller, B5 or larger) 1,500 sheets (52 to 90 g/m ² , B4 or larger) 500 sheets (52 to 90 g/m ² , A5 or smaller) 20 sheets (91 to 300 g/m ² , special paper)
	Output tray 3 (Relay Unit top surface)	100 sheets (52 to 90 g/m ²) 20 sheets (91 to 300 g/m ² , special paper)
Staple Capacity	50 sheets (Plain Paper 52 to 90 g/m ²)	48 sheets (Plain paper 52 to 90 g/m ²) + 2 sheets (Thick paper 91 to 209 g/m ²)
		30 sheets (Thick paper 91 to 120 g/m ²) 15 sheets (Thick paper 121 to 209 g/m ²)
Power Requirements	Supplied from the MFP main body	
Max. Power Consumption	105 W or less	
Dimensions [W] × [D] × [H]	528 × 641 × 1,023 mm (20-3/4" × 25-1/4" × 40-1/4")	
Weight	Approx. 36 kg (79-3/8 lb)	

*1 Short edge feed Set by Customer engineer



Finisher FS-537 (Optional)

Type	Finisher	
Support Paper Type	Thin paper/Plain paper (52 to 90 g/m ²), Thick paper (91 to 300 g/m ²), Transparency, Envelope, Label sheet, Letterhead paper, Banner paper, Index paper	
Support Paper Size	SRA3 to A5, B6 ⁺ , A6 ⁺ , Foolscap ⁺ (8-1/2" × 13-1/2", 200 × 330 mm, 8-1/8" × 13-1/4", 8-1/2" × 13", 8-1/4" × 13", 8" × 13"), 8K, 16K, Banner paper (210 × 457.3 to 297 × 1,200 mm)	
Mode	Sort, Group, Offset Sort, Offset Group, Staple	
Stacking Capacity	Output tray 1 (Sub tray)	200 sheets (52 to 90 g/m ²) 20 sheets (91 to 300 g/m ² , special paper)
	Output tray 2 (Main tray)	3,000 sheets (FS-537SD: 2,500 sheets) (52 to 90 g/m ² , A4 ⁺ or smaller) 1,500 sheets (52 to 90 g/m ² , B4 or larger) 500 sheets (52 to 90 g/m ² , A5 or smaller) 20 sheets (91 to 300 g/m ² , special paper)
Staple Capacity	Max. 100 sheets (52 to 90 g/m ²)	
Power Requirements	Supplied from the MFP main body	
Max. Power Consumption	140 W or less	
Dimensions [W] × [D] × [H]	622 × 692 × 1,031 mm (24-1/2" × 27-1/4" × 40-9/16")	
Weight	Approx. 47 kg (103-5/8 lb)	

*1 Short edge feed Set by Customer engineer

Finisher FS-536SD/ FS-537SD (Optional)



Model	FS-536SD	FS-537SD
Support Paper Type	Centre Staple: 52 to 90 g/m ² Half-Fold: 52 to 209 g/m ² (more than 91 g/m ² Thick paper can be used only as a cover page) Tri-Fold: 52 to 90 g/m ²	
Support Paper Size	Centre Staple and Fold, Half-Fold: SRA3, A3 Wide, A3, B4, A4 ⁺ , 12-1/4" × 18", 11" × 17", 8-1/2" × 14", 8-1/2" × 11", 8K Tri-Fold: A4 ⁺ , 8-1/2" × 11" ¹ , 16K ¹	
Maximum Number of Sheets that can be Centrestapled	20 (52 to 90 g/m ²) sheets, or 19 (90 g/m ²) sheets + Thick (209 g/m ²) 1 sheet	
Maximum Number of Folded Sheets	Half-Fold: 5 sheets or Thick paper (91 to 209 g/m ²) 1 sheet, Tri-Fold: 3 sheets	
Stacking Capacity	1 to 3 sheets: 20 sets, 4 to 10 sheets: 10 sets, 11 to 20 sheets: 5 sets Tri-Fold (1 sheet): 30 sets, Tri-Fold (2-3 sheets): 10 sets	1 to 5 sheets: 35 sets 6 to 10 sheets: 25 sets (paper length: 330 mm or less), 30 sets (paper length: over 330 mm) 11 to 20 sheets: 15 sets Tri-Fold (1 sheet): 50 sets, Tri-Fold (2 sheets): 40 sets, Tri-Fold (3 sheets): 30 sets
Power Requirements	Supplied from the MFP main body	
Max. Power Consumption	140 W or less	
Dimensions [W] × [D] × [H]	528 × 641 × 1,023 mm (20-3/4" × 25-1/4" × 40-1/4")	635 × 692 × 1,031 mm (25" × 27-1/4" × 40-9/16")
Weight	Approx. 60 kg (132-1/4 lb)	Approx. 73 kg (161 lb)

*1 Short edge feed

Punch Kit PK-519 (For FS-533)/PK-520 (For FS-536/FS-536SD)/ PK-523 (For FS-537/FS-537SD) (Optional)

Model	PK-519	PK-520	PK-523
Applicable	Finisher FS-533	Finisher FS-536/FS-536SD	Finisher FS-537/FS-537SD
Number of holes	2 holes or 4 holes		
Support Paper Type (Weight)	Thin paper/Plain paper (52 to 90 g/m ²), Thick paper (91 to 157 g/m ²)	Thin paper/Plain paper (52 to 90 g/m ²), Thick paper (91 to 300 g/m ²)	
Support Paper Size	A3 to B5, 11" × 17" to 7-1/4" × 10-1/2"	A3 to B5, 11" × 17" to 7-1/4" × 10-1/2", 16K, 8K	A3 to A5, 11" × 17" to 5-1/2" × 8-1/2", 8" × 13", 16K, 8K
Power Requirements	Supplied from Finisher FS-533	Supplied from Finisher FS-536/FS-536SD	Supplied from Finisher FS-537/FS-537SD
Max. Power Consumption	17 W or less		
Dimensions [W] × [D] × [H]	110.2 × 483.5 × 203.2 mm (4-1/2" × 19" × 8")	61 × 492 × 142 mm (2-1/2" × 19-1/2" × 5-1/2")	146.2 × 639.2 × 233.8 mm (5-3/4" × 25-1/4" × 9-1/4")
Weight	Approx. 3.2 kg (7 lb)	Approx. 1.8 kg (4 lb)	Approx. 4.5 kg (10 lb)

Post Inserter PI-507 (For FS-537/FS-537SD) (Optional)



Applicable	Finisher FS-537/FS-537SD	
Support Paper Type (Weight)	Plain paper (60 to 90 g/m ²), Thick paper (91 to 209 g/m ²)	
Support Paper Size	Upper Tray	A4, B5, A5 ⁺ , 8-1/2" × 11", 7-1/4" × 10-1/2", 5-1/2" × 8-1/2" ¹ , 16K
	Lower Tray	A3 Wide, A3, B4, A4, B5, A5 ⁺ , Foolscap ⁺ (8-1/2" × 13-1/2", 200 × 330 mm, 8-1/8" × 13-1/4", 8-1/2" × 13", 8-1/4" × 13", 8" × 13"), 12" × 18", 11" × 17", 8-1/2" × 14", 8-1/2" × 11", 10-1/2" × 8", 7-1/4" × 10-1/2", 5-1/2" × 8-1/2" ¹ , 8K, 16K
Paper Capacity	200 sheets (Plain paper, 80 g/m ²)	
Power Requirements	Supplied from Finisher FS-537/FS-537SD	
Dimensions [W] × [D] × [H]	513 × 635 × 222 mm (20-3/16" × 25" × 8-3/4")	
Weight	Approx. 12 kg (26-7/16 lb)	

*1 Long edge feed Set by Customer engineer



Job Separator JS-602 (For FS-537/FS-537SD) (Optional)

Applicable	Finisher FS-537/FS-537SD	
Support Paper Type (Weight)	Plain paper (60 to 90 g/m ²)	
Support Paper Size	A3, B4, A4, B5, A5 ⁺ , Foolscap ⁺ (8-1/2" × 13-1/2", 200 × 330 mm, 8-1/8" × 13-1/4", 8-1/2" × 13", 8-1/4" × 13", 8" × 13"), 8-1/2" × 14", 8-1/2" × 11", 10-1/2" × 8", 7-1/4" × 10-1/2", 5-1/2" × 8-1/2" ¹ , 8K, 16K	
Power Requirements	Supplied from FS-537/FS-537SD	
Max. Power Consumption	5 W or less	
Dimensions [W] × [D] × [H]	341 × 537 × 149 mm (13-1/2" × 21-1/4" × 5-3/4")	
Weight	Approx. 1.75 kg (3-3/4 lb)	

*1 Short edge feed Set by Customer engineer

Z Folding Unit ZU-609 (For FS-537/FS-537SD) (Optional)



Applicable	Finisher FS-537/FS-537SD	
Z Fold Paper Size	A3, B4, 11" × 17", 8-1/2" × 14", 8K	
Z Fold Paper Weight	52 to 90 g/m ²	
Power Requirements	Supplied from FS-537/FS-537SD	
Dimensions [W] × [D] × [H]	101 × 506 × 186 mm (4" × 19-15/16" × 7-5/16")	
Weight	Approx. 4.5 kg (9-15/16 lb)	

Paper Feed Cabinet PC-115/PC-215/PC-415 (Optional)



Model	PC-115	PC-215	PC-415
Support Paper Type (Weight)	Thin paper/Plain paper (52 to 90 g/m ²), Thick paper (91 to 256 g/m ²)		
Support Paper Size	A3 to A5 ⁺ , 11" × 17" to 8-1/2" × 11", Foolscap ⁺ (8-1/2" × 13-1/2", 200 × 330 mm, 8-1/8" × 13-1/4", 8-1/2" × 13", 8-1/4" × 13", 8" × 13"), 8K, 16K ¹	A4 ⁺ (8-1/2" × 11" ¹)	
Paper Capacity	Top tray (Tray 3)	Plain paper: 500 sheets, Thick paper: 150 sheets	
	Bottom tray (Tray 4)		Plain paper: 500 sheets, Thick paper: 150 sheets
			Plain paper: 2,500 sheets, Thick paper: 1,000 sheets
Power Requirements	Supplied from the MFP main body		
Dimensions [W] × [D] × [H]	615 × 652 × 246 mm (24-1/4" × 25-3/4" × 9-3/4")		
Unit Configuration	Paper tray, 1 level	Paper tray, 2 levels	
Weight	Approx. 26 kg (57-5/16 lb)	Approx. 28 kg (61-3/4 lb)	Approx. 27 kg (59-1/2 lb)

*1 Short edge feed Set by Customer engineer *3 Long edge feed

Large Capacity Unit LU-207/ LU-302 (Optional)



Model	LU-207	LU-302
Support Paper Type (Weight)	Thin paper/Plain paper (52 to 90 g/m ²), Thick paper (91 to 256 g/m ²)	
Support Paper Size	SRA3 to A4, 12" × 18" to 8-1/2" × 11" ¹ , A4 ⁺ (8-1/2" × 11" ¹)	
Paper Capacity	Plain paper: 2,500 sheets (80 g/m ²)/ 2,750 sheets (60 g/m ²) Thick paper 1: 2,000 sheets, Thick paper 1+: 1,450 sheets, Thick paper 2: 1,250 sheets, Thick paper 3: 1,000 sheets	Plain paper: 3,000 sheets (80 g/m ²)/ 3,300 sheets (60 g/m ²) Thick paper 1: 2,500 sheets, Thick paper 1+: 1,750 sheets, Thick paper 2: 1,500 sheets, Thick paper 3: 1,300 sheets
Power Requirements	Supplied from the MFP main body	
Max. Power Consumption	22 W or less	
Dimensions [W] × [D] × [H]	629 × 556 × 405 mm (24-3/4" × 22" × 16")	367 × 528 × 405 mm (14-1/2" × 20-3/4" × 16")
Weight	Approx. 27 kg (59-1/2 lb)	Approx. 18 kg (39-3/4 lb)

*1 The maximum number of loadable sheets for each paper size is 2,500 sheets (for 80 g/m²) or 2,750 sheets (for 60 g/m²)

*2 Long edge feed

* Thick paper 1: 91 to 120 g/m², Thick paper 1+: 121 to 157 g/m², Thick paper 2: 158 to 209 g/m², Thick paper 3: 210 to 256 g/m²

Authentication Unit (IC Card type) AU-201S (Optional)

Applicable Card	FeliCa (IDm), SSFC, FCF, FCF (campus), FeliCa Private, TypeA MIFARE (UID), NFC (Host Card Emulation)
Interface	USB 2.0
Power Supply	Power received from USB port
Dimensions [W] × [D] × [H]	98 × 64 × 13 mm (3-7/8" × 2-1/2" × 1/2") (not including projections)
Weight	Approx. 100 g (1/4 lb)

Authentication Unit (Biometric type) AU-102 (Optional)

Biometric Sensor System	Transmission-type optical system
Interface	USB 2.0
Verification Time	Approx. 1 sec. or less
Max. Power Consumption	DC 5 V 500 mA
Dimensions [W] × [D] × [H]	59 × 82 × 74 mm (2-1/4" × 3-1/4" × 3")
Weight	Approx. 96 g (1/4 lb) (excluding USB cable)

i-Option

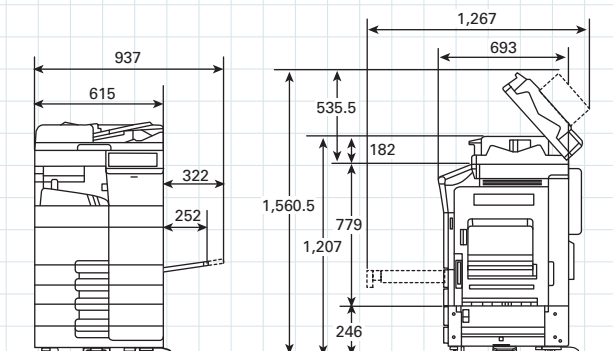
Model	Function	Note
i-Option LK-102 v3	Encrypted PDF or PDF/A (1a/1b)	
i-Option LK-104 v3	Voice guidance*1	
i-Option LK-105 v4	Searchable PDF	
i-Option LK-106	Barcode font (Code39, QR Code, PDF417)	
i-Option LK-107	Unicode font	
i-Option LK-108	OCR font (OCR-A, OCR-B (PCL))	
i-Option LK-110 v2	File format extension package	
i-Option LK-111	ThinPrint function	
i-Option LK-114	Server-less Pull Printing function	Not available in China.
i-Option LK-115 v2	TPM function	

*1 Device Connection I/F Kit EK-608 or EK-609 is required.

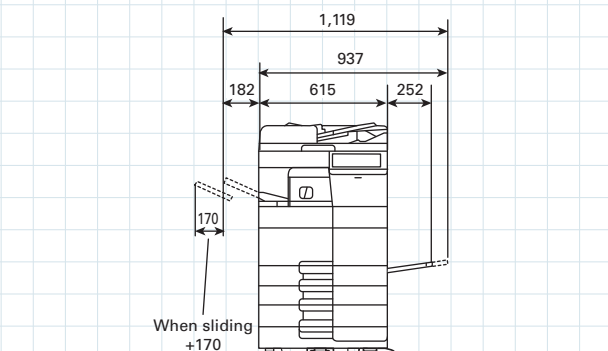
Space Requirements

Dimensions (unit: mm)

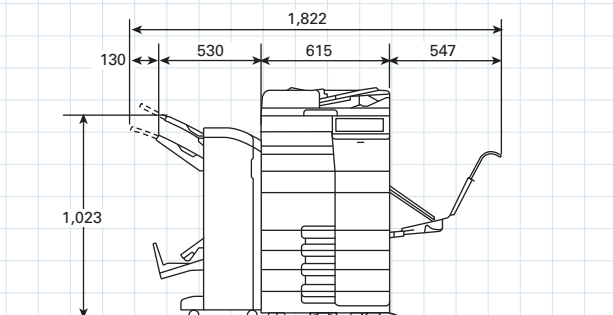
■ bizhub C658 (C558/C458) + PC-215 (PC-115/PC-415/DK-510) + OT-506



■ bizhub C558 (C458) + PC-215 (PC-115/PC-415/DK-510) + FS-533



■ bizhub C658 (C558/C458) + PC-215 (PC-115/PC-415/DK-510) + RU-513 + FS-536SD + MK-730



■ bizhub C658 (C558/C458) + PC-215 (PC-115/PC-415/DK-510) + LU-207 (LU-302) + RU-513 + FS-537SD + PI-507 + ZU-609 + MK-730

