



KONICA MINOLTA

bizhub PRESS 1250 / 1052 Spec Sheet

System

*1 Mount Kit MK-732 is required.

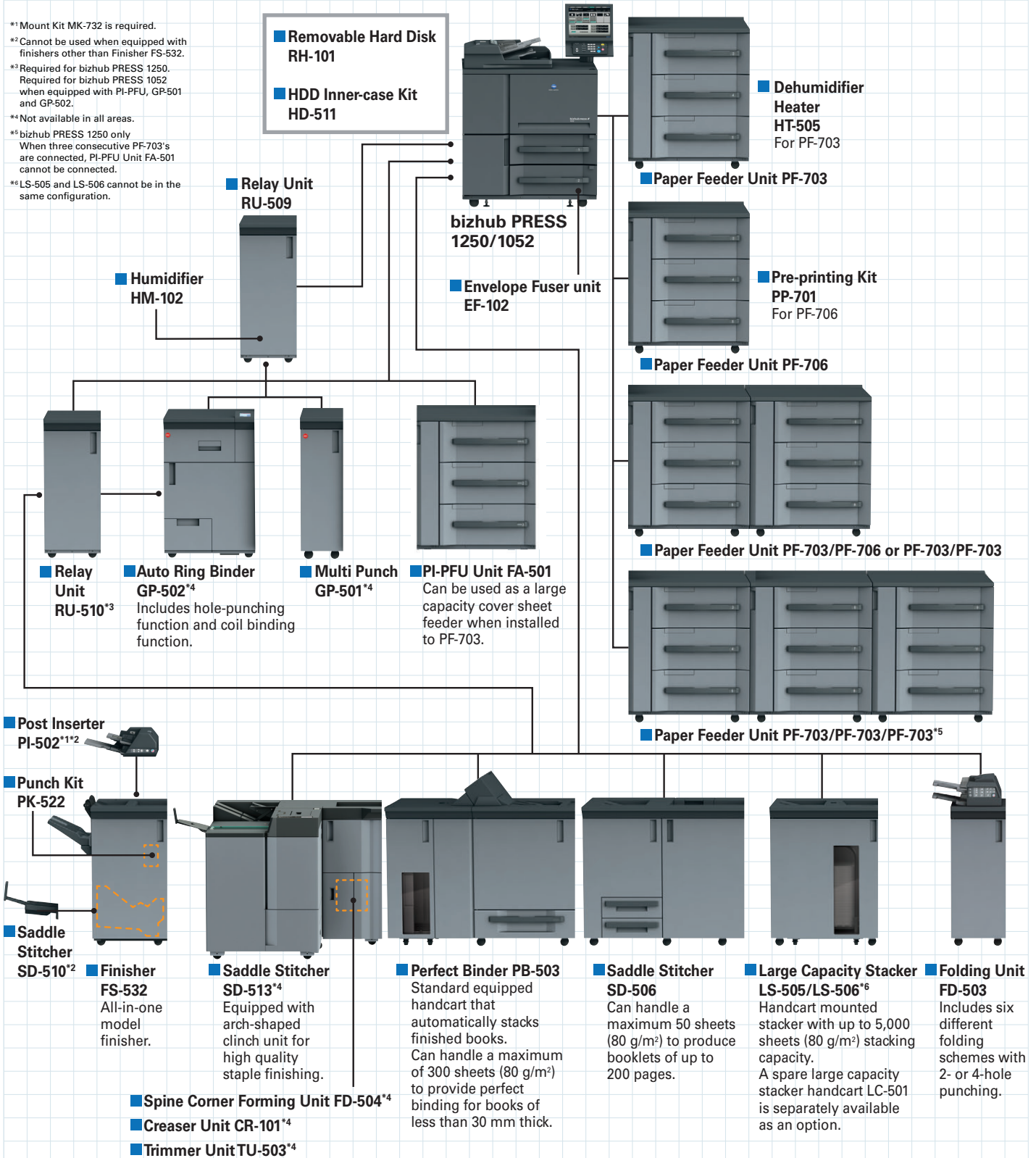
*2 Cannot be used when equipped with finishers other than Finisher FS-532.

*3 Required for bizhub PRESS 1250. Required for bizhub PRESS 1052 when equipped with PI-PFU, GP-501 and GP-502.

*4 Not available in all areas.



*5 bizhub PRESS 1250 only. When three consecutive PF-703's are connected, PI-PFU Unit FA-501 cannot be connected.

*6 LS-505 and LS-506 cannot be in the same configuration.



Specifications

bizhub PRESS 1250/1052 General Specifications

		bizhub PRESS 1250	bizhub PRESS 1052
Type		Console	
Resolution	Scan	600 × 600 dpi	
	Print	1,200 × 1,200 dpi	
Gradation		256	
Original Type		Sheets, Books, Objects	
Max. Original Size		A3 (11" × 17")	
Memory Capacity	DIMM	768 MB	
	HDD	250 GB	
Output Size (S: Short edge feed )		SRA3, A3 to B5, A5S, Tab paper, Custom 95 × 133 mm (Using small size guides) to 324 × 463 mm*	
Image Loss		Max. 3 mm or less for top edge, Max. 2.0 mm or less for bottom edge, Max. 2.0 mm or less for right/left edges	
Warm-Up Time		480 sec. or less	
First Copy Out Time		2.8 sec. or less	3.0 sec. or less
Copy / Print Speed (A4)		125 ppm	105 ppm
Copy Magnification	Fixed Same Magnification	1:1±0.5% or less	
	Scaling Up	1:1.154/1.224/1.414/2.000	
	Scaling Down	1:0.866/0.816/0.707/0.500	
	Preset	3 types	
	Zoom	25 to 400% (in 0.1% increments)	
Paper Capacity (80g/m ²)		Standard: 1,500 sheets × 2	
Paper Weight	Standard	40 to 300 g/m ² (Limitations to paper types apply)	
	Option	40 to 350 g/m ² (Only available for middle tray of PF-703 and PF-706)	
Multiple Copy		1 to 9,999 sheets	
Auto Duplex (S: Short edge feed )		Non-Stack. SRA3, A3 to B5, A5S	
Power Requirements		220 to 240 V/25 A	
Max. Power Consumption		5.0 kW or less (Main unit + PF-706 + FS-532)	
Dimensions [W] × [D] × [H]		990 × 910 × 1,234 mm (39" × 35-3/4" × 48-1/2") (Main unit + ADF)	
		1,211 × 910 × 1,454 mm (47-3/4" × 35-3/4" × 57-1/4") (including operation panel)	
Weight		364 kg (802-1/2 lb) (Main unit)	
Space Requirements [W] × [D]		3,420 × 980 mm (134-3/4" × 38-1/2")	
		<Main unit + RU + FS + PFU> 2,930 × 980 mm (115-1/2" × 38-1/2") <Main unit + RU + FS + PFU>	

*1 Max. size will be 324 × 483 mm if PF-703 is connected.

Printer Specifications (Standard)


		bizhub PRESS 1250	bizhub PRESS 1052
Type		Embedded	
CPU		Pentium G6950 2.8 GHz	
Memory		2 GB	
HDD		250 GB 3.5 inch SATA	
Print Speed		125 ppm	105 ppm
Print Resolution		1,200 × 1,200dpi, 600 × 600dpi	
PDL		PCL5e/6, PostScript3 (3019), PDF Ver.1.7, TIFF Ver. 6 Emulation, PPML (Ver.2.2)	
Protocol		TCP/IP, IPX/SPX (NDS support), SMB (NetBEUI), IPP, EtherTalk	
Support OS	PCL	Windows Vista*1 / 7*1 / 8.1*1 / 10*1 Windows Server 2008*1 / 2008 R2 / 2012	
	PS3	Windows Vista*1 / 7*1 / 8.1*1 / 10*1 Windows Server 2008*1 / 2008 R2 / 2012 Mac OS X (10.6 / 10.7 / 10.8 / 10.9 / 10.10) CUPS (by PS PPD)	
Fonts	PCL	80 fonts	
	PS3	136 fonts	
Interface		10Base-T/100Base-TX/1000Base-T, USB2.0 (Hi-Speed)	

*1 Supports the 32-bit (x86) or 64-bit (x64) environment.

Scanning Specifications (Standard)


Type		Monochrome
Scanning Speed (A4)		105 opm
Scanning Size		Conforms to main unit specifications
Scanning Resolution		1,200×1,200 dpi equiv., 600×600 dpi, 400×400 dpi, 300×300 dpi, 200×200 dpi
Protocol		TCP/IP (FTP, SMB, SMTP, WSD)
Support OS		Windows Vista / Vista (x64) / 7 / 7 (x64)
Interface		Ethernet 10Base-T/100Base-TX/1000Base-T
Output Format		PDF, TIFF, Linearised PDF, XPS

Reverse Automatic Document Feeder (Standard)


Type		Reverse Automatic Document Feeder
Original Size (S: Short edge feed )		A3 to B6S, Custom (128 × 139.7 to 297 × 431.8 mm)
Paper Weight	Simplex	50 to 200 g/m ²
	Duplex	50 to 130 g/m ²
Paper Capacity (80 g/m ²)		Max. 100 sheets
Dimensions [W] × [D] × [H]		650 × 570 × 170 mm (25-1/2" × 22-1/2" × 6-3/4")
Weight		Approx. 22 kg (48-1/2 lb)

Options


■ Paper Feeder Unit PF-703

Paper Size (S: Short edge feed )		SRA3, A3, B4, A4, SRA4S, A4S, B5, B5S, A5, 12"×18", 11"×17", 8-1/2"×14", 8-1/2"×11", 8-1/2"×11"S, 9"×11", Foolscap (8-1/2"×13", 8-1/4"×13", 8-1/8"×13-1/4", 8"×13") Wide Paper: A3W, B4W, A4W, A4SW, B5W, B5SW, A5W 12"×18"W, 11"×17"W, 8-1/2"×11"W, 5-1/2"×8-1/2"W Tab Paper: A3T, B4T, A4T, A4ST, B5T, 11"×17"T, 8-1/2"×11"T, 8-1/2"×11"ST, 5-1/2"×8-1/2"ST Custom: 95×133 (Using small size guides) to 324×483 mm
Paper Type		Plain, Fine, Coated, Book/News, Embossed (Rough paper), Blank Insert, Tab Paper, Pre-printed paper, Transparency, Embossed2 (Embossed paper), Envelope
Paper Weight		40 to 350 g/m ² (301 to 350 g/m ² paper only available for middle tray.)
Paper Capacity (80 g/m ²)	Upper Tray	1,300 sheets
	Middle Tray, Lower Tray	1,850 sheets
Power Source		Supplied from the main unit
Dimensions [W] × [D] × [H]		871.5 × 780 × 1,038 mm (34-1/4" × 30-3/4" × 41")
Weight		Approx. 150 kg (330-3/4 lb)

■ Paper Feeder Unit PF-706

Paper Size (S: Short edge feed )		SRA3, A3, B4, A4, SRA4S, A4S, B5, B5S, A5, 12"×18", 11"×17", 8-1/2"×14", 8-1/2"×11", 8-1/2"×11"S, 9"×11", Foolscap (8-1/2"×13", 8-1/4"×13", 8-1/8"×13-1/4", 8"×13") Wide Paper: A3W, B4W, A4W, A4SW, B5W, B5SW, A5W 12"×18"W, 11"×17"W, 8-1/2"×11"W, 5-1/2"×8-1/2"W Tab Paper: A3T, B4T, A4T, A4ST, B5ST, 8-1/2"×11"T, 8-1/2"×11"ST, 11"×17"T, 5-1/2"×8-1/2"ST Custom: 95×139 (Using small size guides) to 324×463 mm
Paper Type		Plain, Fine, Book/News, Embossed (Rough paper), Tab Paper
Paper Weight		40 to 350 g/m ² (301 to 350 g/m ² paper only available for middle tray.)
Paper Capacity (80g/m ²)		2,000 sheets×3 tray
Power Source		Supplied from the main unit
Dimensions [W] × [D] × [H]		809 × 780 × 1,038 mm (31-3/4" × 30-3/4" × 41")
Weight		Approx. 150 kg (330-3/4 lb)

■ Relay Unit RU-509

Paper Size (S: Short edge feed )		SRA3, A3, B4, SRA4, SRA4S, A4, A4S, B5, B5S, A5, A5S, B6S, A6S, 13"×19", 12"×18", 11"×17", 8-1/2"×14", 8-1/2"×11", 8-1/2"×11"S, 9"×11", 5-1/2"×8-1/2", 5-1/2"×8-1/2"S, 7-1/4"×10-1/2", 7-1/4"×10-1/2"S, Custom (100×140 to 324×463 mm)*1
Paper Weight		64 to 350 g/m ² (Reversed paper feeding: 64 to 256 g/m ²)
Power Source		AC 220 to 240 V
Dimensions [W] × [D] × [H]		410 × 735 × 1,020 mm (16-1/4" × 29" × 40-1/4")
Weight		Approx. 60 kg (176-1/4 lb)

*1 Max. size will be 324 × 483 mm if PF-703 is connected.



■ Relay Unit RU-510

Through conveyance function	Paper Size	95×133 to 324×463 mm**1
	Paper Weight	40 to 350 g/m ²
Reversing function	Paper Type	Plain, Fine, Coated, Recycled paper, Envelope, Embossed
	Paper Size	95 × 133 to 324×463 mm**1
Multi-sheet function	Paper Weight	40 to 300 g/m ²
	Paper Type	Plain, Fine, Coated, Recycled paper, Embossed
Power Source	Paper Size	95 × 133 to 324×463 mm**1
	Paper Weight	40 to 216 g/m ²
Dimensions [W] × [D] × [H]	Paper Type	Plain, Fine, Coated, Recycled paper, Embossed
		Supplied from the main unit
Weight		410 × 723 × 1,020 mm (16-1/4" × 28-1/2" × 40-1/4") Approx. 36 kg (79-1/4 lb)

* Required for bizhub PRESS 1250. Required for bizhub PRESS 1052 when equipped with PI-PFU, GP-501 and GP-502.

**1 Max. size will be 324 × 483 mm if PF-703 is connected.

■ Large Capacity Stacker LS-505 / LS-506

Paper Size (S: Short edge feed )	Straight mode	SRA3, A3, B4, SRA4, SRA4S, A4, A4S, B5, A5, 9" × 11", 13" × 19", 12" × 18", 11" × 17", 8-1/2" × 14", 8-1/2" × 11", 8-1/2" × 11"S, 7-1/4" × 10-1/2", 8K, 16K, Wide Paper, Tab Paper, Custom (210×148 to 324×463 mm)**1
	Sub tray mode	SRA3, A3, B4, SRA4, SRA4S, A4, A4S, B5, B5S, A5, A5S, B6S, A6S, 13" × 19", 12" × 18", 11" × 17", 8-1/2" × 14", 8-1/2" × 11", 8-1/2" × 11"S, 5-1/2" × 8-1/2", 8-1/2" × 11"S, 9" × 11", 7-1/4" × 10-1/2", 7-1/4" × 10-1/2"S, 8K, 16K, 16KS, Wide Paper, Tab Paper, Custom (210×148 to 324×463 mm)**1
Paper Weight	Straight mode	50 to 244 g/m ² (LS-505), 50 to 350 g/m ² (LS-506)
	Sub tray mode	40 to 350 g/m ²
Paper Capacity (80 g/m ²) (S: Short edge feed )	Straight mode	5,000sheets: SRA3, A3, B4, SRA4, SRA4S, A4, A4S, 13" × 19", 12" × 18", 11" × 17", 9" × 11", 8-1/2" × 14", 8-1/2" × 11", 8-1/2" × 11"S, 8K, 16K 3,000sheets: Coated paper, more than 380 mm paper length 2,000sheets: B5, A5, 7-1/4" × 10-1/2"
	Sub tray mode	200 sheets (Z-fold: 20 sheets, Centre-fold: 40 sheets)
Power Source		Supplied from the main unit
Dimensions [W] × [D] × [H]		785 × 723 × 1,020 mm (30" × 28-1/2" × 48-1/2")
Weight		Approx. 110 kg (242-1/2 lb)

* LS-505 and LS-506 cannot be in the same configuration.

**1 Max. size will be 324 × 483 mm if PF-703 is connected.

■ Finisher FS-532

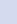
Paper Weight		Staple mode: 50 to 300 g/m ² Straight/Shift mode: 40 to 350 g/m ²
Paper Size	Staple mode	203×139 to 324×463 mm**1
	Straight/Shift mode	95×133 (Using small size guides) to 324×463 mm**1
	Sub tray mode	95×133 (Using small size guides) to 324×463 mm**1
Paper Capacity (80 g/m ²)		Max. 4,500 sheets (Main + Sub tray)
Stapling mode types		Corner stapling: horizontal, vertical 2-point stapling: centre
Power Source		DC 24 V ±10%
Dimensions [W] × [D] × [H]		544 × 723 × 1,070mm (21-1/2" × 28-1/2" × 42-1/4")
Weight		74 kg (163-1/4 lb)

*1 Max. size will be 324 × 483 mm if PF-703 is connected.

■ Post Inserter PI-502 *Optional Mount Kit MK-732 is required.

Applicable		Finisher FS-532
Paper Type		Plain, Specialty paper (50 to 200 g/m ²)
Paper Size	Upper tray	A4, B5, A5
	Lower tray	SRA3, A3, B4, A4, B5, A5
Paper Capacity (80 g/m ²)		Max. 200 sheets
Power Source		Supplied from Finisher FS-532
Dimensions [W] × [D] × [H]		511 × 620 × 220 mm (20-1/4" × 24-1/2" × 8-3/4")
Weight		Approx. 10.5 kg (23-1/2 lb)

■ Punch Kit PK-522

Applicable		Finisher FS-532
Punch Holes		2 holes / 4 holes
Paper Weight		60 to 300 g/m ²
Paper Size (S: Short edge feed )		2 holes: A3, B4, A4, A4S, B5, B5S, A5, A5S
		4 holes: A3, B4, A4, B5
Power Source		Supplied from the main unit
Dimensions [W] × [D] × [H]		156 × 592 × 181 mm (6-1/4" × 23-1/4" × 7-1/4")
Weight		4.5 kg (10 lb)

Specifications

■ Saddle Stitcher SD-510



Paper Type* ¹	Saddle stitch Centre-Fold	Plain, Specialty paper (50 to 216 g/m ²) A3, B4, A4S (50 to 216 g/m ²)
Paper Size (S: Short edge feed)	Three fold-in	A4S (50 to 105 g/m ²)
Fold mode tray capacity	Saddle stitch	1 to 5 sheets: 35 sets, 6 to 10 sheets: 25 sets, 11 to 20 sheets: 15 sets
	Centre-Fold	1 to 5 sheets: 35 sets
	Three fold-in	1-sheet fold: 50 sets, 2-sheet fold: 40 sets, 3-sheet fold: 30 sets
Sheets Saddle stitch		Max. 20 sheets
Sheets Folded	Centre-Fold	Max. 5 sheets
	Three fold-in	Max. 3 sheets
Power Source		Supplied from the main unit
Dimensions [W] x [D] x [H]		281 x 596 x 523 mm (11-3/4" x 23-1/2" x 20-3/2")
Weight		Approx. 26.4 kg (58-1/4 lb)

*1 Usable paper types will vary according to function and paper exit destination.

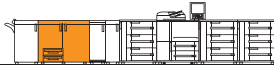
■ Folding Unit FD-503



The number of holes, diameter, pitch		2 holes: Diameter 6.5 (hole pitch: 80mm), 4 holes: Diameter 6.5 (hole pitch: 80mm)
Fold Types		Centre-fold, Three fold-in, Three fold-out, Double parallel, Z-fold, Gatefold
Paper Size (S: Short edge feed)	2-hole Punch	A3, B4, A4, SRA4S, A4S, B5, B5S, A5, A5S, 12" x 18", 11" x 17", 8-1/2" x 14", 8-1/2" x 11", 8-1/2" x 11"S, 5-1/2" x 8-1/2", 9" x 11", 8K, 16K, 16KS, 7-1/4" x 10-1/2", 7-1/4" x 10-1/2"S, Tab Paper
	4-hole Punch	A3, B4, A4, B5, 12" x 18", 11" x 17", 8-1/2" x 11", 9" x 11", 8K, 16K, 7-1/4" x 10-1/2", Tab Paper
	Folding mode	A3, B4, SRA4S, A4S, 12" x 18", 11" x 17", 8-1/2" x 14", 8-1/2" x 11"S, 8K, Custom (210x279 to 305x458 mm)
	Post insertion mode	SRA3, A3, B4, SRA4, SRA4S, A4, A4S, B5, B5S, A5, 13" x 19", 12" x 18", 11" x 17", 8-1/2" x 14", 8-1/2" x 11", 8-1/2" x 11"S, 5-1/2" x 8-1/2", 7-1/4" x 10-1/2", 7-1/4" x 10-1/2"S, 8K, 16K, 16KS, Wide Paper, Tab Paper, Custom (182x139 to 324x463 mm)
	Straight mode	SRA3, A3, B4, SRA4, SRA4S, A4, A4S, B5, B5S, A5, A5S, B6S, 13" x 19", 12" x 18", 11" x 17", 8-1/2" x 14", 8-1/2" x 11", 8-1/2" x 11"S, 5-1/2" x 8-1/2", 5-1/2" x 8-1/2"S, 9" x 11", 7-1/4" x 10-1/2", 7-1/4" x 10-1/2"S, 8K, 16K, 16KS, Wide Paper, Tab Paper, Custom (95x139 to 324x463 mm)* ¹
Sub tray mode		SRA3, A3, B4, SRA4, SRA4S, A4, A4S, B5, B5S, A5, A5S, B6S, 13" x 19", 12" x 18", 11" x 17", 8-1/2" x 14", 8-1/2" x 11", 8-1/2" x 11"S, 5-1/2" x 8-1/2", 5-1/2" x 8-1/2"S, 9" x 11", 7-1/4" x 10-1/2", 7-1/4" x 10-1/2"S, 8K, 16K, 16KS, Wide Paper, Tab Paper, Custom (95x139 to 324x463 mm)* ¹
Paper Weight	Punch	50 to 216 g/m ²
	Folding mode	Centre-fold/Three fold-in/Three fold-out/Z-fold: 50 to 130 g/m ² Double parallel/Gatefold: 50 to 91 g/m ²
	Post insertion mode	50 to 300 g/m ²
	Straight mode	40 to 350 g/m ²
	Sub tray mode	40 to 350 g/m ²
Power Source		Supplied from the main unit
Dimensions [W] x [D] x [H]		400 x 723 x 1,231 mm (15-3/4" x 28-1/2" x 48-1/2")
Weight		Approx. 130 kg (285-1/2 lb)

*1 Max. size will be 324 x 483 mm if PF-703 is connected.

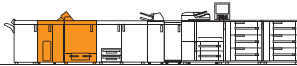
■ Saddle Stitcher SD-506



Paper Size (S: Short edge feed)	Saddle stitch/trimming	SRA3, A3, B4, SRA4S, A4S, B5S, 12" x 18", 11" x 17", 8-1/2" x 14", 8-1/2" x 11"S, 7-1/4" x 10-1/2"S, 8K, 16KS, Wide Paper, Custom (182x257 to 324x463 mm)* ¹	
	Folding	Centre-fold: SRA3, A3, B4, SRA4S, A4S, B5S, 12" x 18", 11" x 17", 8-1/2" x 14", 8-1/2" x 11"S, 7-1/4" x 10-1/2"S, 8K, 16KS, Wide Paper, Custom (182x257 to 324x463 mm)* ¹ Three fold-in: A4S, 8-1/2" x 11"S	
	Straight (sub tray)	SRA3, A3, B4, SRA4, SRA4S, A4, A4S, B5, B5S, A5, A5S, B6S, A6S, 13" x 19", 12" x 18", 11" x 17", 8-1/2" x 14", 8-1/2" x 11", 8-1/2" x 11"S, 5-1/2" x 8-1/2", 5-1/2" x 8-1/2"S, 9" x 11", 7-1/4" x 10-1/2", 7-1/4" x 10-1/2"S, 8K, 16K, 16KS, Wide Paper, Custom (95x139 to 324x463 mm)* ¹	
Paper Weight	Saddle stitch/trimming	50 to 244 g/m ²	
	Centre-fold	50 to 244 g/m ²	
	Three fold-in	50 to 91 g/m ²	
Stacking Capacity		2 to 10 sheet: 50 sets 11 to 20 sheet: 30 sets 21 to 40 sheet: 20 sets 41 to 50 sheet: 15 sets	
	Stitching Capacity	50 to 81 g/m ² : 50 sheets 82 to 91 g/m ² : 30 sheets 92 to 130 g/m ² : 20 sheets 131 to 161 g/m ² : 15 sheets 162 to 209 g/m ² : 10 sheets 210 to 244 g/m ² : 5 sheets	
		Staple Position	Variable (90 to 165 mm)
		Trimming Capacity	50 sheets x 2 (80 g/m ²)
Fold Type		Centre-fold, Three fold-in	
Folding Capacity		Centre-fold: 30 sets Three fold-in: 20 sets	
Power Source		Supplied from the main unit	
Dimensions [W] x [D] x [H]		1,170 x 775 x 1,020 mm (46" x 30-1/2" x 40-1/4")	
Weight		280 kg (617-1/4 lb)	

*1 Max. size will be 324 x 483 mm if PF-703 is connected.

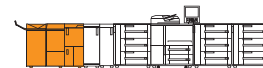
■ Perfect Binder PB-503



Paper Weight		64 to 91 g/m ² (81 to 216 g/m ² for cover sheets)
Paper Size (S: Short edge feed)		A4, B5, A5, A5S, Custom (139x279 to 307x463)* ¹ mm
Bound Pages (80 g/m ²)		Approx. 300 sheets max. (less than 30mm thick)/approx. 10 sheets min.
Warm-up Time		20 min.
Power Source		AC 230 V, 50 Hz
Dimensions [W] x [D] x [H]		1,360 x 775 x 1,223 mm (53-1/2" x 30-1/2" x 48-1/4")
Weight		Approx. 270 kg (595-1/4 lb)

*1 Max. size will be 472 mm if PF-703 is connected.

■ Saddle Stitcher SD-513



Paper Size (S: Short edge feed)	Saddle stitch/trimming	SRA3, A3, B4, A4S, B5S, Wide Paper, Custom (120x257* ¹ to 324x463* ² mm)
	4-point stitch* ³	A3, 11" x 17"
	Folding	Centre-fold: SRA3, A3, B4, A4S, B5S, Wide Paper, Custom (120x257* ¹ to 324x463* ² mm) Three fold-in: A4S
Paper Weight	Straight (sub tray)	SRA3, A3, B4, A4, A4S, B5, B5S, A5, A5S, Custom (95x133 to 324x463* ² mm), postcard
	Saddle stitch/trimming	50 to 300 g/m ² , Centre-fold: 50 to 300 g/m ² Three fold-in: 50 to 91 g/m ² , Straight (sub tray): 40 to 350 g/m ²
Stacking Capacity	Sub tray* ⁴	Single sheet: 200 sheets (80 g/m ²), Three fold-in/Centre-fold: 20 sheets
	Booklet tray* ⁴	Saddle-stitch: 2 to 10 saddle-stitched sheets: 30 sets, 11 to 25 saddle-stitched sheets: 18 sets, 26 to 50 saddle-stitched sheets: 10 sets Multi-centre fold: 30 booklets
	Three fold-in tray* ⁴	Multi-three fold-in: 1 folded sheet: 40 sets, 2 folded sheets: 20 sets, 3 folded sheets: 13 sets, 4 folded sheets: 10 sets, 5 folded sheets: 13 sets
Stitching Capacity		50 to 64 g/m ² : 50 sheets, 65 to 81 g/m ² : 35 sheets, 82 to 91 g/m ² : 30 sheets, 92 to 130 g/m ² : 20 sheets, 131 to 161 g/m ² : 15 sheets, 162 to 209 g/m ² : 10 sheets, 210 to 244 g/m ² : 5 sheets, 245 to 300 g/m ² : 3 sheets
	Staple Position	Staple pitch (54 to 185.5 mm)
Staple method		In-line clinch method
Trimming Capacity		50 sheets (80 g/m ²) x 2 = 100 sheets
Power Source		Separate power source: AC 100 V (some power is supplied from the main body)
Dimensions [W] x [D] x [H]		1,241 x 1,431 x 1,020 mm (49" x 56-1/2" x 40-1/4")* ⁵
Weight		Approx. 337 kg (743 lb)

*Not available in all areas

*1 Finish dimensions after cutting are compatible with CD jacket size (120 x 120 mm).

*2 Max. size will be 324 x 483 mm if PF-703 is connected. *3 The minimum number of required sheets is specified.

*4 With box-full detection function *5 The width does not include the booklet tray (236 mm).

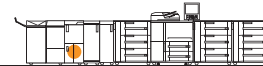
■ Spine Corner Forming Unit FD-504



Applicable		Saddle Stitcher SD-513
Paper Size		Conforms to SD-513 saddle-stitching mode specifications
Paper Weight		50 to 300 g/m ²
Sheet Processing Capacity	Maximum	Conforms to SD-513 saddle-stitching mode specifications
	Minimum	5 sheets
Cover		Short-grain paper only
Power Source		Supplied from SD-513
Max. Power Consumption		60 W or less
Dimensions [W] x [D] x [H]		643 x 258 x 197 mm (25-1/4" x 10-1/4" x 7-3/4")
Weight		13 kg (28-3/4 lb)

*Not available in all areas

■ Creaser Unit CR-101



Applicable		Saddle Stitcher SD-513
Paper Size		Crease + saddle-stitching mode, crease + multi-fold mode, crease + sub-tray mode, crease + through-pass mode: Conforms to SD-513 saddle-stitching/multi-centre fold mode specifications. Crease + multi-trifold mode: Conforms to SD-513 multi-trifold mode specifications. Crease + pre-fect-binding mode: Conforms to PB-503 cover specifications.
Paper Weight		80 to 350 g/m ² (The maximum paper weight conforms to crease-modecombination specifications.)
Crease count		1 to 4 creases (restrictions apply depending on the mode.)
Setting unit		0.1 mm
Minimum crease interval		1.0 mm
Power Source		Supplied from SD-513
Max. Power Consumption		25 W or less
Dimensions [W] x [D] x [H]		210 x 462.3 x 137 mm (8-1/4" x 18-1/4" x 5-1/2")
Weight		6.8 kg (15 lb)

*Not available in all areas

■ Trimmer Unit TU-503



Applicable		Saddle Stitcher SD-513
Paper Size		Slit + saddle-stitching mode, slit + multi-centre fold mode, slit + sub-tray mode, slit + straight mode, slit + shift mode, Conforms to SD-513 saddle-stitching mode specifications. *1
Paper Weight		50 to 300 g/m ² (The maximum paper weight conforms to the after-processing machine specifications in each slit mode.)
		50 to 61 g/m ² : 14 to 26 mm, 62 to 300 g/m ² : 10 to 26 mm (Independent top and bottom settings: However, the difference in top and bottom cutting amounts is within 10 mm.)
Cut position		Top and bottom edge of booklet
Cut amount		(Width) 13 x (Height) 420 mm, 2,000 scraps of paper weight 80 g/m ²
Cutting scrap box capacity		Supplied from SD-513
Power Source		50 W or less
Max. Power Consumption		304 x 630 x 381 mm (12" x 24-3/4" x 15")* ³
Dimensions [W] x [D] x [H]		18.7 kg (41-1/4 lb), Scrap box: 1.4 kg (3 lb)
Weight		

*Not available in all areas

*1 The paper length in the main scanning direction after slitting is 120 mm or more.

*2 Regulated according to the paper size before slitting.

*3 From the manual rotary knob to the motor

■ Auto Ring Binder GP-502



Paper Weight	Bypass Mode	40 to 350 g/m ²
	Punch Mode	75 to 120 g/m ² (163 to 216 g/m ² for cover sheets, 75 to 120 g/m ² for inserter sheets)
Paper Size	Bypass Mode	95x133 to 324x463 mm* ¹
	Punch Mode	A4
Power Source		DC 24 V/2.5 A or less
Dimensions [W] x [D] x [H]		655 x 775 x 1,020 mm (25-3/4" x 30-1/2" x 40-1/4")
Weight		183 kg (403-1/2 lb)

*Not available in all areas

*1 Max. size will be 324 x 483 mm if PF-703 is connected.

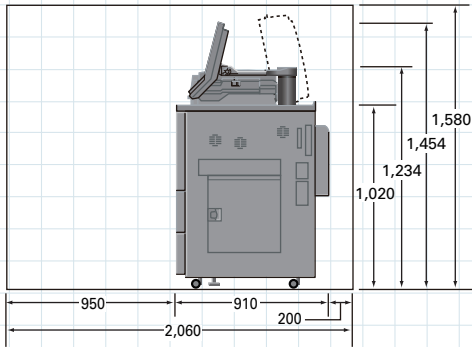
■ Multi Punch GP-501



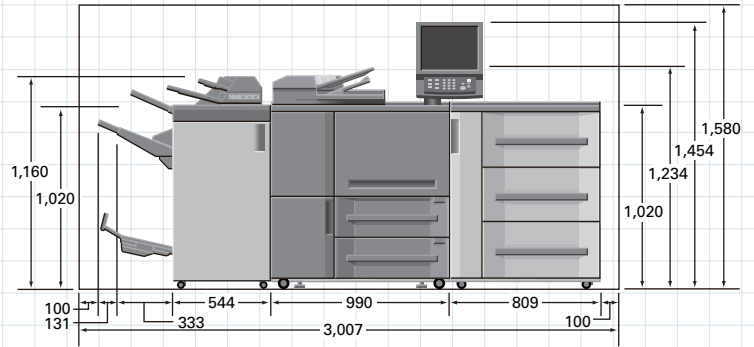
Paper Weight	Bypass Mode	64 to 350 g/m ²
	Punch Mode	75 to 216 g/m ² (Plain paper)
Paper Size	Bypass Mode	95 x 139 to 324x463 mm* ¹
	Punch Mode	297 x 210 mm
Power Source		230 V, 50 Hz
Dimensions [W] x [D] x [H]		305 x 775 x 1,020 mm (12-1/4" x 30-1/2" x 40-1/4")
Weight		Approx. 80 kg (176-1/4 lb)

*Not available in all areas

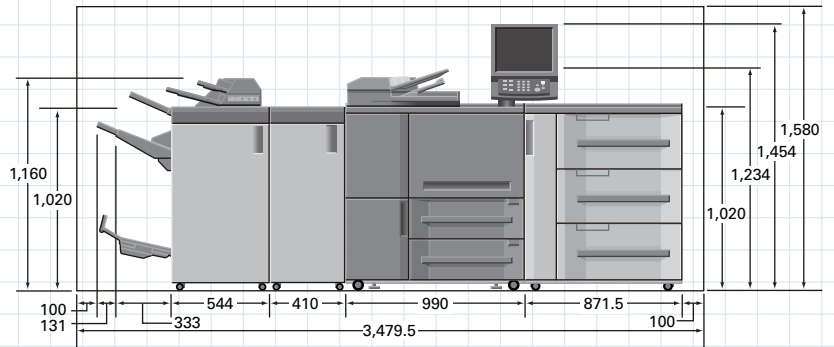
*1 Max. size will be 324 x 483 mm if PF-703 is connected.



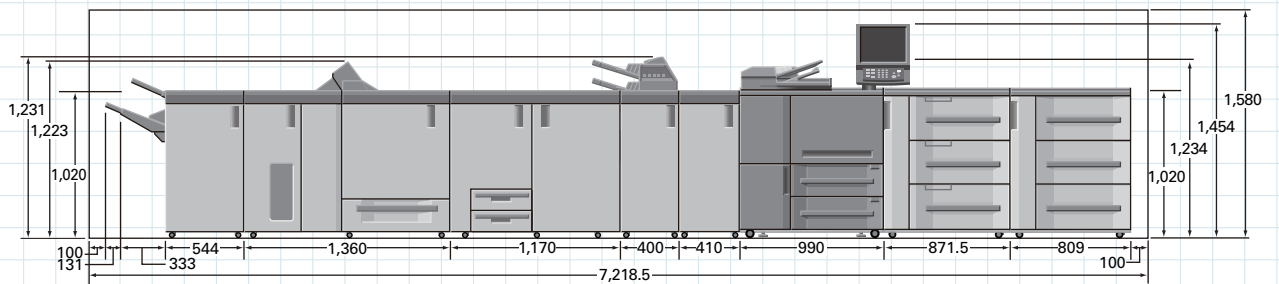
Side View
bizhub PRESS 1250/1052



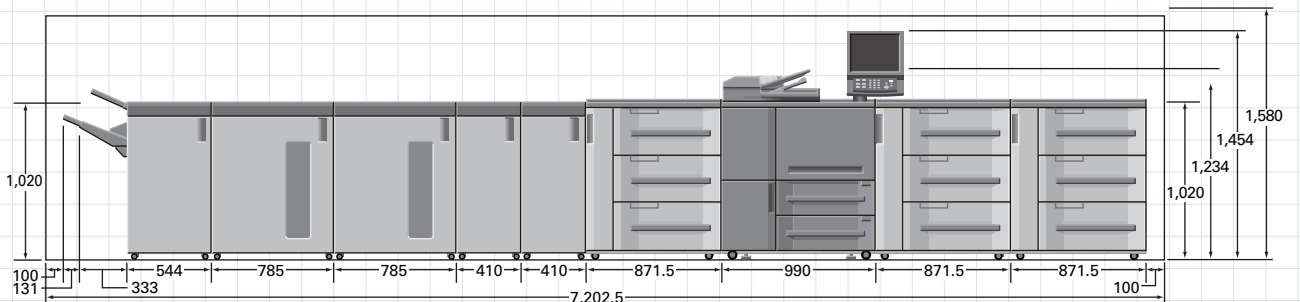
Front View
bizhub PRESS 1052+FS-532+PI-502+SD-510+PF-706



Front View
bizhub PRESS 1250/1052+FS-532+PI-502+SD-510+RU-510+PF-703



Front View
bizhub PRESS 1250/1052+FS-532+PB-503+SD-506+FD-503+RU-510+PF-703+PF-706



Front View
bizhub PRESS 1250/1052+FS-532+LS-505+LS-505+RU-510+RU-509+PI-PFU+PF-703+PF-703