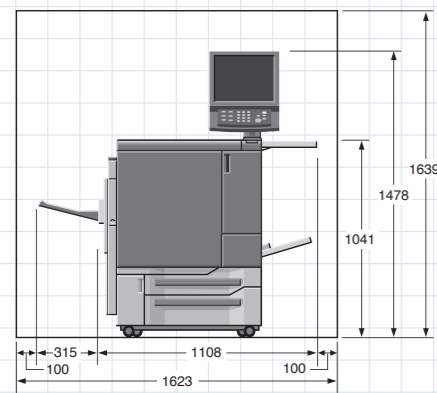
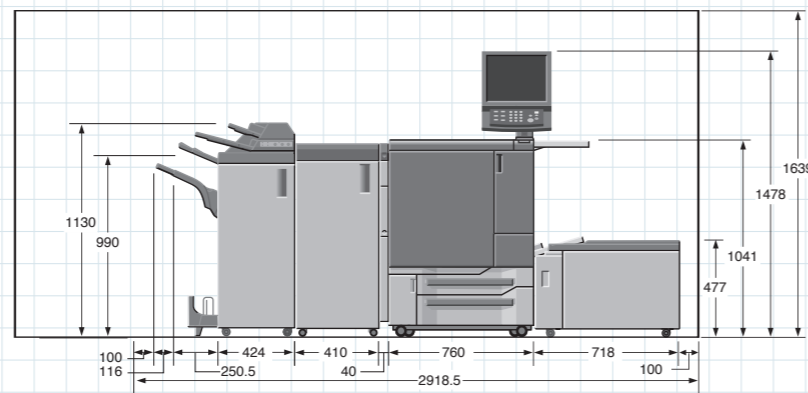


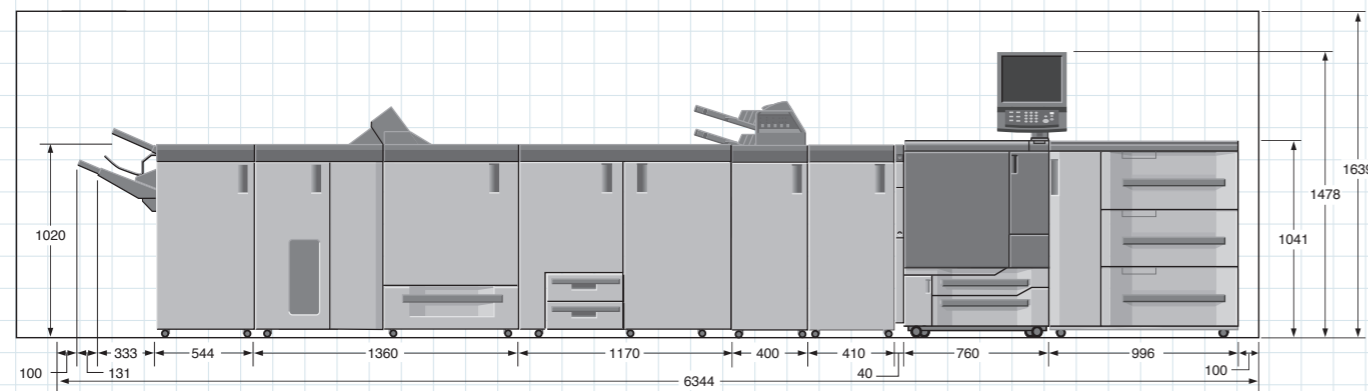
Side View
bizhub PRESS C71hc + RU-517 +
OT-502 + MB-506



Front View
bizhub PRESS C71hc + RU-517 +
OT-502 + MB-506

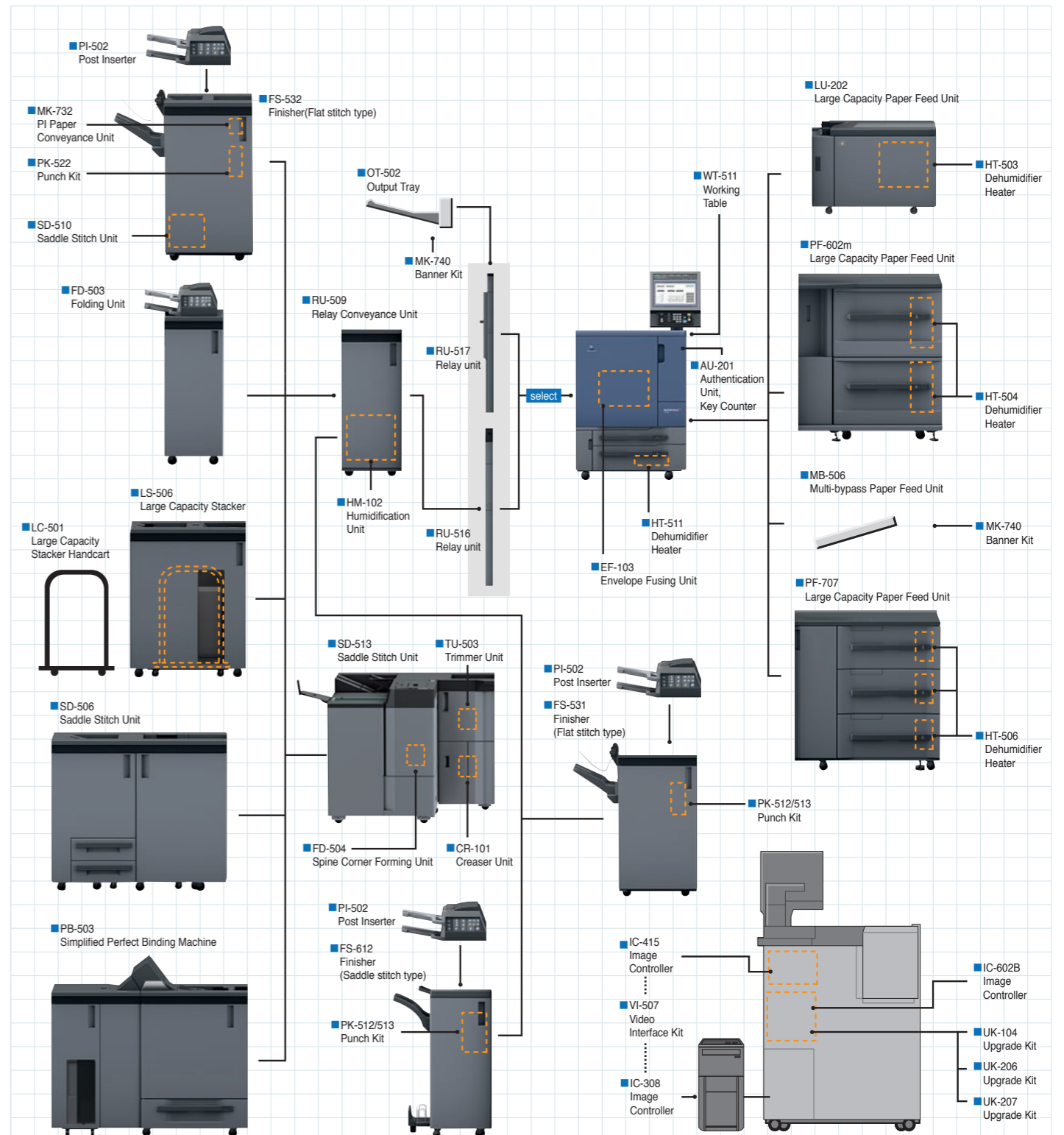


Front View
bizhub PRESS C71hc + RU-516 + FS-612 + RU-509 + LU-202



Front View
bizhub PRESS C71hc + RU-516 + FS-532 + PB-503 + SD-506 + FD-503 + RU-509 + PF-707

System



*Some options may not be available for some countries.
*WT-511 can not be installed when you connect the PF-602m and the PF-707.

Specifications

bizhub PRESS C71hc General Specifications

Type	Console type	
Copy Method	4-coupled drum tandem laser electrostatic method	
Resolution	1,200 dpi (Equivalent to 3,600 dpi) x 1,200 dpi	
Gradation	8-bit / 256 Gradation	
CPU	Core i5 2400 3.1 GHz	
System Memory Capacity	2 GB	
Extended Memory	System memory capacity can be extended up to 14GB with IC-602 or UK-104.	
Max. Printing Area	323 mm x 480 mm	
Paper Size	Standard tray	SRA3, A3, B4, A4, B5, 13x19, 11x17, 8 1/2x14, 8 1/2x11, 5 1/2X8 1/2S
(S: Short Edge Feed <input type="checkbox"/>)		Max. 330mm x 487mm, Min. 140mm x 182mm
	Bypass tray (Option)	Max. 330mm x 487mm, Min. 100mm x 148mm
Image Loss	Max. 4 mm or less for top edge, Max. 4.5 mm or less for bottom edge, Max. 3.0 mm or less for right/left edges	
Warm-Up Time	390 seconds or less	
First Copy Out Time	Colour	7.1 sec. or less
	Black and White	5.9 sec. or less
Print Speed (Colour, B&W)	A4	71 ppm
	A3	38 ppm
Tray Capacity (80 g/m ²)	Standard	Tray 1 (500 sheets) Tray 2 (1,000 sheets)
	Option	MB-506 (Multi-bypass, 250 sheets)**12, PF-602m (3,000 sheets x 2)**1 PF-707 (1,390 sheets x 2, 1,850 sheets x 1)**1, LU-202 (2,500 sheets)**1 62 g/m ² to 258 g/m ² *3
Paper Weight	Standard	MB-506/PF-602m/PF-707/ LU-202: 62 g/m ² to 300 g/m ²
	Option	Up to 9,999 sheets
Continuous Copy Count	Inch: AC208 to 240V 21A 60 Hz Metric: AC220 to 240V 20A, 50 Hz / 60 Hz	
Power Source	Inch: 4,900W or less (Main body only) Metric: 4,700W or less (Main body only)	
Power Consumption	760 mm ⁴ x 903 mm ⁵ x 1,041 mm ⁶ 29.92 ^{mm4} x 35.55 ^{mm5} x 40.98 ^{mm6} (Main body only)	
Dimensions [W] x [D] x [H]	Approximately 286 kg / 630 lb (Main body only)	
Weight		

*1 MB-506, PF-602m, PF-707 and LU-202 are the options. *2 PF-602m and PF-707 are not available when MB-506 is installed.
 *3 For paper size A4 or smaller than 8 1/2x11, it is up to 216 g/m². *4 Excluding the control panel, output tray, work table.
 *5 Including the rear duct. *6 Height to the top of the main body excluding the control panel.

bizhub PRESS C71hc Printer Controller

■ Image Controller IC-308

Type	Server	
CPU	Core i5 2400 3.1 GHz	
Memory	4 GB	
HDD	1 TB	
Page-description Language	Adobe PostScript 3 (3019), PDF 1.7, PPLM 2.2, APPE 2.5, PCL 5/6 emulation	
Printing Method	TCP/IP, SNMP, SMB, FTP, LPR, IPP, Bonjour	
Applicable OS	Windows Vista / 7 / 8 / Server 2003 / Server 2008 / Server 2008**1 MacOSX 10.5 / 10.6 / 10.7 / 10.8	
Interface	10 / 100 / 1000Base-T	
Scanner Resolution	200 / 300 / 400 / 600 dpi	
Data Format	PDF, TIFF, JPEG	
Driver	Twain Plug-in	

**1 Including 64-bit versions.

■ Image Controller IC-602B

Type	AIO to the engine (option)	
CPU	Conforms with main unit specification	
Memory	Max. 14 GB Details: 2 GB + 4 GB x 2 (IC-602B) + 4 GB (UK-104)	
HDD	Max. 2 TB Details: 500 GB x 3 (IC-602B) + 500 GB (UK-104)	
Page-description Language	Adobe PostScript3 (PS3020), PDF direct print (PDF version 1.7), APPE (version 2.6) (UK-104 or UK-207 is required), PDF/VT (version 2) (UK-104 or UK-207 is required), TIFF direct print (TIFF version 6 compliance), PPLM (version 2.2), PCL-5c compatible, PCL XL (PCL6 version 3) compatible	
Printing Method	Pserver (IPX/SPX), LPD / LPR (TCP/IP), IPP (TCP/IP), AppleTalk (EtherTalk), Bonjour (TCP/IP), Web service printing (TCP/IP), NPrinter /RPrinter(IPX/SPX), Raw Port (TCP/IP), SMB	
Applicable OS	PS Plug-in	Windows Server 2003 / Vista / Server 2008 / 7 / 8 / Server 2012**1 MacOSX 10.5 / 10.6 / 10.7 / 10.8 (PPC/Intel)
	PS PPD**2	Windows Server 2003 / Vista / Server 2008 / 7 / 8 / Serv er 2012**1 Linux CUPS
Interface	Ethernet (1000BASE-T / 100Base-TX / 10Base-T) with IPv6, USB	
Scanner Resolution	200 / 300 / 400 / 600 dpi	
Data Format	PDF, TIFF, JPEG, XPS	
Driver	HDD Twain Driver, Real Time Mode Twain Driver	

**1 Includes 64-bit. *2 WHQL is not obtained for the PS PPD driver

■ Image Controller IC-415

Type	Embedded	
CPU	Conforms with main unit specification	
Memory	2 GB	
HDD	500GB SATA	
Page-description Language	Adobe PostScript3 (PS3019), PDF 1.7, PCL 5/6 emulation	
Printing Method	TCP/IP, SNMP, SMB, FTP, LPR, IPP, Bonjour	
Applicable OS	Windows Vista / 7 / 8 / Server 2003 / Server 2008**1 MacOSX 10.5 / 10.6 / 10.7 / 10.8	
Scanner Resolution	200 / 300 / 400 / 600 dpi	
Data Format	PDF, TIFF, JPEG	
Driver	Twain Plug-in	

**1 Including 64-bit versions.

Options

■ Multi-bypass Paper Feed Unit MB-506

Paper Weight	62 g/m ² to 300 g/m ²
Paper Size	Max. 330 mm x 487 mm, Min. 100 mm x 148 mm
Tray Capacity	250 sheets (80 g/m ²)
Power Source	Supplied from the main body
Power Consumption	Max. 28W or less
Dimensions [W] x [D] x [H]	485 mm x 503 mm x 327 mm 19.09" x 19.8" x 12.87" (Max. dimensions of the whole unit)
Weight	Approximately 4.2 kg / 9.26 lb

■ Envelope Fuser Unit EF-103

Envelope weight	70 g/m ² to 100 g/m ²
Envelope Size	100 mm to 245 mm ¹
	Paper length in the main scan direction
	Paper length in the sub scan direction
Power Source	Supplied from the main body.
Power Consumption	2430W or less
Dimensions [W] x [D] x [H]	200 mm x 690 mm x 235 mm (7.87"x27.17"x9.25")
Weight	Approximately 16 kg / 35.2lb

*1 When the paper length is less than 139.7 mm, paper feed assist parts must be connected.

■ Paper Feeder Unit PF-707

Paper Size	SRA3, A3, B4, A4, B5, A5, 13x19, 12x18, 11x17, 9x11, 8 1/2x14, 8 1/2x11 Tab paper (A4, 8 1/2x11) Max. 330.2 mm x 487.7 mm, Min. 100 mm x 140 mm**1	
Paper Type	Plain, Fine, Color, Coated, Envelope**2	
Paper Weight	62 g/m ² to 300 g/m ²	
Max. Tray Capacity (80 g/m ²)	Upper & Middle Tray	1,390 sheets each
	Bottom Tray	1,850 sheets
	Total	4,630 sheets
Power Source	Inch.: 120VAC, Metric.: 230VAC	
Dimensions [W] x [D] x [H]	996 mm x 772 mm x 1038 mm / 39.21" x 30.39" x 40.87"	
Weight	203 kg / 447.4 lb	

**1 For the paper whose width is less than 140 mm, use the small size guide. *2 Only upper tray supports envelopes.

■ Paper Feeder Unit PF-602m

Paper Size	SRA3, A3, B4, A4, B5, A5, 13x19, 12x18, 11x17, 9x11, 8 1/2x14, 8 1/2x11 Tab paper (A4, 8 1/2x11) Tray (upper): Max. 330 mm x 487 mm, Min. 100 mm x 182 mm Tray (lower): Max. 330 mm x 487 mm, Min. 100 mm x 148 mm	
Paper Type	Plain, Fine, Coated paper	
Paper Weight	Upper Tray	62 g/m ² to 256 g/m ²
	Lower Tray	62 g/m ² to 300 g/m ²
Max. Tray Capacity (80 g/m ²)	6,000 sheets (3,000 sheets x2)	
Power Source	Supplied both from the main body.	
Max. Power Consumption	DC: 90W or less, AC: 100W or less	
Dimensions [W] x [D] x [H]	947 mm x 750 mm x 1,045 mm / 37.28" x 29.53" x 41.14"	
Weight	Approximately 170 kg / 374.78 lb	

■ Large Capacity Unit LU-202

Paper Size	SRA3, A3, B4, A4, B5, 13x19, 12x18, 11x17, 9x11, 8 1/2x14, 8 1/2x11 Tab paper (A4, 8 1/2x11) Max. 330 mm x 487 mm, Min. 210 mm x 182 mm**1	
Paper Type	Plain, Fine, Coated paper	
Paper Weight	62 g/m ² to 300 g/m ²	
Paper Capacity (80 g/m ²)	2,500 sheets*2	
Power Source	Supplied both from the main body.	
Max. Power Consumption	DC: 70W or less AC: 50W or less (Not including HT-503)	
Dimensions [W] x [D] x [H]	710 mm x 639 mm x 477 mm / 27.95" x 25.16" x 18.78"	
Weight	Approximately 42 kg / 92.59 lb	

*1 Available types of paper weighing 300 g/m² are limited to specific types. *2 Stacked height 275 mm

■ Relay Unit RU-509

Paper Size	Max. 330 mm x 487 mm, Min. 100 mm x 140 mm	
Paper Weight	62 g/m ² to 300 g/m ²	
Power Source	Supplied from the machine.	
Dimensions [W] x [D] x [H]	410 mm x 735 mm x 1,020 mm / 16-1/4" x 29" x 40-1/4"	
Weight	Approximately 60 kg / 176-1/4 lb	

■ Paper Humidifier HM-102

Paper Type	Same as the main body.	
Power Source	24/5 VDC (Supplied from RU-509)	

* For Humidifier ON mode, Envelope or Coated, PrePrinted, Blank Insert Sheet, Embossed, and Embossed2 with the weight under 135 g/m² or less cannot be used.

■ Banner Kit MK-740

Applicable models	Feeding system	MB-506
	Output system	OT-502 TypeB/FS-612/FSS31/FS-532 TypeB
Paper Size	Max. 330x1,200mm Min. Width100mm	
Paper Weights	128 to 256 g/m ²	
Pape Type	Plain, Fine, Coated paper	
Capacity	10 sheets (Plain paper) 1 sheets (Coated paper)	

■ Folding Unit FD-503

Hole Pitch	Metric area: 80 mm (2 holes / 4 holes) Inch area: 70 mm (2 holes), 108 mm (3 holes)	
Fold Types	Centre-fold, Three fold-in, Three fold-out, Double parallel, Z-fold, Gatefold	
Paper Size	Hole Punch	2 holes: SRA3, A3, B4, A4, B5, 12x18, 11x17, 8 1/2x14, 8 1/2x11 3/4 holes: SRA3, A3, B4, A4, B5, 12x18, 11x17, 8 1/2x11
	Folding mode	Max. 305 mm x 458 mm, Min. 210 mm x 279 mm
	Post insertion mode	Max. 331 mm x 483 mm, Min. 182 mm x 139 mm
	Straight mode	Max. 330 mm x 483 mm, Min. 182 mm x 148 mm
	Punch	62 g/m ² to 216 g/m ²
	Folding mode	Centre-Fold / Three Fold-in / Three Fold-out / Z-Fold: 62 g/m ² to 130 g/m ² Double Parallel / Gatefold: 62 g/m ² to 91 g/m ²
	Post insertion mode	62 g/m ² to 300 g/m ²
	Straight mode	62 g/m ² to 300 g/m ²
	Sub Tray mode	62 g/m ² to 300 g/m ²
Power Source	100VAC to 240VAC, 5VDC (supplied from the main body)	
Dimensions [W] x [D] x [H]	400 mm ¹ x 723 mm x 1,231 mm / 15-3/4" x 28-1/2" x 48-1/2"	
Weight	Approximately 130 kg / 285-1/2 lb	

**1 Width including the primary (main) tray (with the edge closed): 667 mm
Width including the primary (main) tray (with the edge pulled out): 784 mm

■ Finisher FS-531

Paper Weight (Staple Mode)	62 g/m ² to 209 g/m ²	
Paper Size (Staple Mode)	Max. 314 mm x 458 mm, Min. 182 mm x 148 mm	
Paper Capacity (80 g/m ²)	Non-sort mode, Sort/group mode	Max. 3,000 sheets(A4, B5, 8 1/2x11)
	Staple mode	*2 to 9: 100 sets (Direction: 150 mm to 417 mm) / 50 sets (Other) *10 to 20: 50 sets *21 to 30: 30 sets *31 to 40: 25 sets *41 to 50: 20 sets
Stapling Mode Types (Staple Position)	Corner stapling 2 staplings	Parallel or diagonal depending on paper size Center spreading 162 mm pitch
Power Source	Supplied from the main body.	
Max. Power Consumption	80W or less	
Dimensions [W] x [D] x [H]	424 mm ¹ x 656 mm x 990 mm / 16.69 ^{mm1} x 25.82" x 39" Width including the primary (main) tray (with the edge closed): 674.5 mm / 26.56" Width including the primary (main) tray (with the edge pulled out): 790.5 mm / 31.12"	
Weight	Approximately 60 kg / 132.28 lb	

*1 Excluding the primary (main) tray

■ Finisher FS-532

Paper Weight	Staple mode: 62 g/m ² to 300 g/m ² Straight / Shift mode: 62 g/m ² to 300 g/m ²	
Paper Size	Staple mode	Max. 330 mm x 488 mm, Min. 203 mm x 148 mm
	Straight/Shift mode	Max. 330 mm x 487 mm, Min. 100 mm x 148 mm (Using small size guides)
Paper Capacity (80 g/m ²)	Max. 4,500 sheets (Main + Sub tray)	
Stapling Mode Types	Corner stapling: Horizontal, Vertical 2-point stapling: Centre	
Power Source	Supplied from the machine	
Max. Power Consumption	144W or less	
Dimensions [W] x [D] x [H]	544 mm x 723 mm x 1,070 mm / 21-1/2" x 28-1/2" x 42-1/4"	
Weight	74 kg / 163-1/4 lb	

Specifications

■ Finisher FS-612

Paper Weight	Staple / Saddle Stitching / Half-Fold mode	62 g/m ² to 105 g/m ²
Paper Size	Staple mode	Max. 314 mm x 458 mm, Min. 182 mm x 140 mm, 182 x 148 mm**1
(S: Short Edge Feed <input type="checkbox"/>)	Saddle stitching mode	Max. 314 x 458 mm, Min. 210 mm x 279 mm
	Half-Fold mode	Max. 314 mm x 458 mm, Min. 210 mm x 279 mm
	Tri-Folding mode	A4S, 8 1/2x11S
Paper Capacity (80 g/m ²)	Non-sort mode, Sort / Group mode	Max. 2,500 sheets A4, A4S, B5, 8 1/2x11 1,500 sheets SRA3 **, A3, B4, 12x18, 11x17, 8 1/2x14
	Paper Weight	62 g/m ² to 300 g/m ²
Paper Capacity (Booklet Tray)	Saddle Stitching mode	Length in the sub scan direction: 299 mm or less: 15 sets with 5 sheets Other than the above: 20 sets with 5 sheets
	Folding mode	Length in the sub scan direction: 299 mm or less: 25 sets with 3 sheets folding Other than the above: 33 sets with 3 sheets folding
	Tri-Folding mode	50 sets with 1 sheet folding
	Paper Weight	62 g/m ² to 105 g/m ²
Paper Capacity (Sub Tray)	Paper Weight	Max. 100 sheets SRA3, A3, B4, A4, 13x19, 12x18, 11x17, 9x11, 8 1/2x14
Power Source	Supplied from the main body.	
Max. Power Consumption	80W or less	
Dimensions [W] x [D] x [H]	424 mm ¹ x 656 mm x 990 mm / 16.69 ^{mm2} x 25.83" x 39" Width including the primary (main) tray (with the edge closed): 674.5 mm / 26.56" Width including the primary (main) tray (with the edge pulled out): 790.5 mm / 31.12"	
Weight	65kg/ 143.3 lb	

*1 Non-sort mode only *2 Excluding the primary (main) tray

■ Punch Kit PK-512/513

Hole Pitch	PK-512	80 mm (2 holes / 4 holes), 108 mm (3 holes)
	PK-513	21 mm, 70 mm, 21 mm (Swedish 4 holes)
Paper Weight	62 g/m ² to 128 g/m ²	
Paper Size	PK-512	2 holes: A3, B4, A4, B5, 11x17, 8 1/2x14, 8 1/2x11 3/4 holes: A3, B4, A4, B5, 11x17, 8 1/2x11
	PK-513	A3, B4, A4, B5
Power Source	Supplied from the main body.	
Max. Power Consumption	40W or less	
Dimensions [W] x [D] x [H]	130 mm x 470 mm x 115 mm / 5.12" x 18.5" x 4.53"	
Weight	Approximately 3 kg / 6.61 lb	

■ Punch Kit PK-522

Applicable	Finisher FS-532	
Hole Pitch	Metric area: 80 mm (2 holes / 4 holes), 21 mm, 70 mm, 21 mm (Swedish 4 holes) Inch area: 70 mm (2 holes), 108 mm (3 holes)	
Paper Weight	62 g/m ² to 300 g/m ²	
Paper Size	2 holes: A3, B4, A4, B5, 11x17, 9x11, 8 1/2x14, 8 1/2x11 3/4 holes: A3, B4, A4, B5, 11x17, 9x11, 8 1/2x11	
Power Source	Supplied from the main unit	
Dimensions [W] x [D] x [H]	156 mm x 592 mm x 180 mm / 6-1/4" x 23-1/4" x 7-1/4"	
Weight	4.5 kg / 9.92 lb	

■ Saddle Stitcher SD-510

Applicable (S: Short Edge Feed <input type="checkbox"/>)	Saddle stitch Centre-Fold Fold & Staple Three Fold-in	SRA3, A3, B4, A4, 13x19, 12x18, 11x17, 8 1/2x14, 8 1/2x11S Max. 330 mm x 487 mm, Min. 120 mm x 240 mm A4S, 8 1/2x11
Fold Mode	Saddle Stitch	2 to 5 sheets: 35 sets, 6 to 10 sheets: 23 sets, 11 to 25 sheets: 15 sets
Tray Capacity	Centre-Fold	1 to 5 sheets: 35 sets
	Three Fold	1-sheet fold: 50 sets, 2-sheet fold: 40 sets, 3-sheet fold: 30 sets (less than 330 mm in length)
Sheets Saddle Stitch	Max. 20 sheets	
Sheets Folded	Centre-Fold	Max. 5 sheets