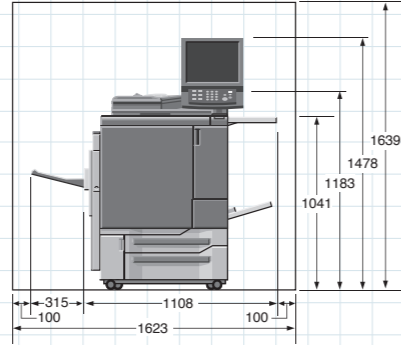
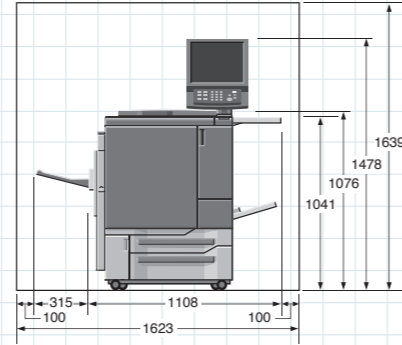


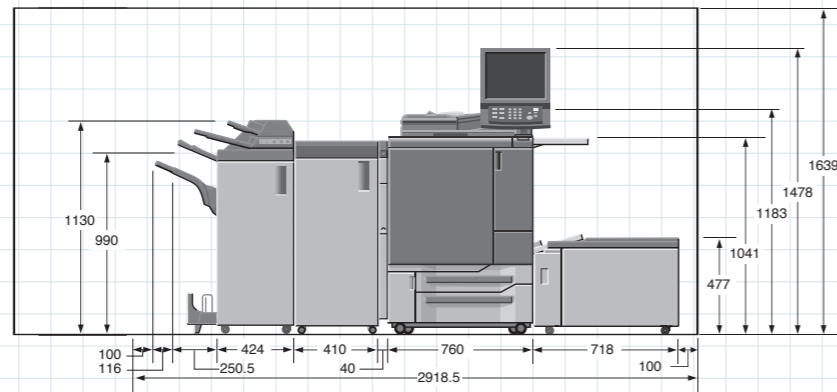
Side View
bizhub PRESS C1070/C1060+RU-517+
OT-502+DF-626+MB-506



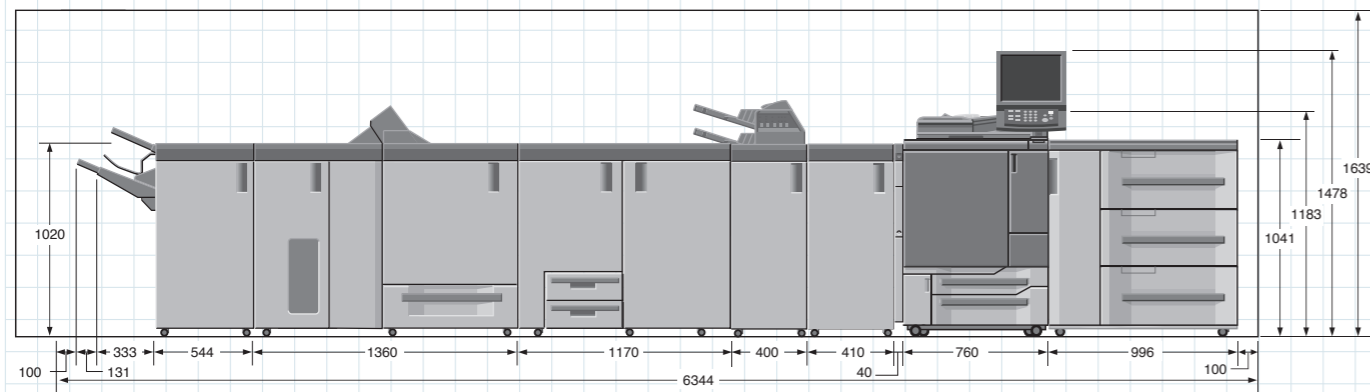
Front View
bizhub PRESS C1070/C1060+RU-517+
OT-502+DF-626+MB-506



Front View
bizhub PRESS C1070/C1060+RU-517+
OT-502+OC-509+MB-506



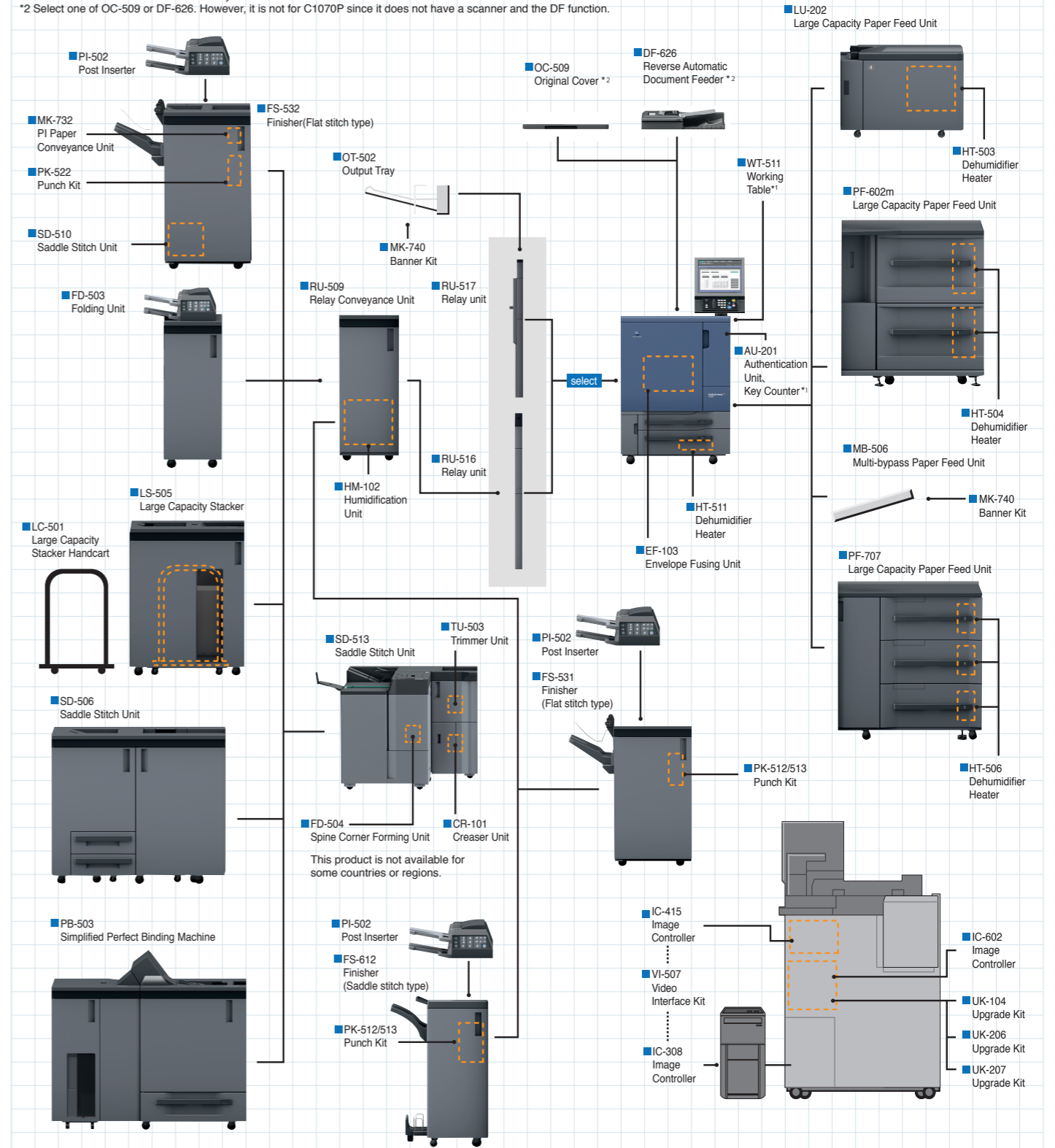
Front View
bizhub PRESS C1070/C1060+RU-516+FS-612+RU-509+DF-626+LU-202



Front View
bizhub PRESS C1070/C1060+RU-516+FS-532+PB-503+SD-506+FD-503+RU-509+DF-626+PF-707

System

*1 The WT-511 can not be installed when you connect the PF-602m and the PF-707.
*2 Select one of OC-509 or DF-626. However, it is not for C1070P since it does not have a scanner and the DF function.



Specifications

bizhub PRESS C1070/C1060 General Specifications

		bizhub PRESS C1070	bizhub PRESS C1060
Type		Console type	
Copy Method		4-coupled drum tandem laser electrostatic method	
Resolution	Scan	600 dpi x 600 dpi	
	Print	1,200 dpi (Equivalent to 3,600 dpi) x 1,200 dpi	
Gradation		8-bit / 256 Gradation	
CPU		Core i5 2400 3.1 GHz	Pentium G850 2.9 GHz
System Memory Capacity		6 GB	
Extended Memory		System memory capacity can be extended up to 14GB with IC-602 or UK-104.	
HDD		1.5 TB	
Original Type		Sheet, Book, Solid object	
Max. Original Size		A3 or 11x17	
Max. Printing Area		323 mm x 480 mm	
Paper Size (S: Short Edge Feed)	Standard tray	SRA3, A3, B4, A4, B5, 13x19, 11x17, 8 1/2x14, 8 1/2x11, 5 1/2x8 1/2S	
	By-pass tray (Option)	Tab paper (A4, 8 1/2 x 11) Max. 330mm x 487mm, Min. 140mm x 182mm Max. 330mm x 487mm, Min. 100mm x 148mm	
Image Loss		Max. 4 mm or less for top edge, Max. 4.5 mm or less for bottom edge, Max. 3.0 mm or less for right/left edges	
Warm-Up Time		390 seconds or less	
First Copy Out Time	Colour	7.1 sec. or less	7.6 sec. or less
	Black and white	5.9 sec. or less	6.3 sec. or less
Print Speed (Colour, B&W)	A4	7.1 ppm	6.1 ppm
	A3	35 ppm	33 ppm
Copy Magnification	Fixed	Inch : x 1.000, x 2.000, x 1.545, x 1.294, x 1.214, x 0.785, x 0.772, x0.647, x 0.500 Metric : x 1.000, x 2.000, x 1.414, x 1.189, x 0.840, x 0.707, x 0.500 x 0.250 to x 4.000 (Each 0.001 step)	
	Zoom	Tray 1 (500 sheets) Tray 2 (1,000 sheets) MB-506 (Multi-bypass, 250 sheets)*1,2 PF-602m (3,000 sheets x 2)*1 PF-707 (1,390 sheets x 2, 1,850 sheets x 1)*1 LU-202 (2,500 sheets)*1	
Tray Capacity (80 gsm)	Standard	Tray 1 (500 sheets) Tray 2 (1,000 sheets)	
	Option	MB-506 (Multi-bypass, 250 sheets)*1,2 PF-602m (3,000 sheets x 2)*1 PF-707 (1,390 sheets x 2, 1,850 sheets x 1)*1 LU-202 (2,500 sheets)*1	
Paper Weight	Standard	62 gsm to 256 gsm*2	
	Option	MB-506/PF-602m/PF-707/LU-202: 62 gsm to 300 gsm Up to 9,999 sheets	
Continuous Copy Count		Up to 9,999 sheets	
Power Source		Inch: AC208 to 240V 21A 60 Hz Metric: AC220 to 240V 20A, 50 Hz / 60 Hz	
Power Consumption		Inch: 4,900W or less (Main body only) Metric: 4,700W or less (Main body only)	
Dimensions [W] x [D] x [H]		760 mm* x 903 mm* x 1,073 mm* 29.92"* x 35.55"* x 42.24"* (Main body + Original Cover)	
Weight		Approximately 291 kg / 641 lb (Main body only)	

*1 MB-506, PF-602m, PF-707 and LU-202 are the options.

*2 PF-602m and PF-707 are not available when MB-506 is installed.

*3 For paper size A4 or smaller than 8 1/2x11, it is up to 216 gsm. *4 Excluding the control panel, output tray, work table.

*5 Including the rear duct. *6 Height to the top of the original cover excluding the control panel.

bizhub PRESS C1070/C1060 Printer Controller Image Controller IC-308

Type	Server
CPU	Core i5 2400 3.1 GHz
Memory	4 GB
HDD	1 TB
Page-description Language	Adobe PostScript 3 (3020), PDF 1.7, PPLM 2.2, APPE 3.0, PCL 5/6 emuration
Printing Method	TCPIP, SNMP, SMB, FTP, LPR, IPP, Bonjour
Applicable OS	Windows Vista / 7 / 8.1 / Server 2008* MacOSX 10.6 / 10.7 / 10.8 / 10.9 / 10.10 10 / 100 / 1000Base-T
Interface	200 / 300 / 400 / 600 dpi
Scanner Resolution	PDF, TIFF, JPEG
Data Format	PDF, TIFF, JPEG
Driver	Twain Plug-in

*1 Including 64-bit versions.

Image Controller IC-602

		bizhub PRESS C1070	bizhub PRESS C1060
Type		AIO to the engine (option)	
CPU		Conforms with main unit specification	
Memory		Max. 14 GB Details: 2 GB + 4 GB (Standard of the main body) + 4 GB (IC-602) + 4 GB (UK-104)	Max. 14 GB Details: 2 GB + 4 GB (Standard of the main body) + 4 GB (IC-602) + 4 GB (UK-104)
HDD		Max. 2 TB Details: 500 GB x 3 (Standard of the main body) + 500 GB (UK-104)	Max. 2 TB Details: 500 GB x 3 (Standard of the main body) + 500 GB (UK-104)
Page-description Language		Adobe PostScript3 (PS3020), PDF direct print (PDF version 1.7), APPE (version 3.4) (UK-104 or UK-207 is required), PDFVT (version 2) (UK-104 or UK-207 is required), TIFF direct print (TIFF version 6 compliance), PPLM (version 2.2), PCL-5c compatible, PCL XL (PCL6 version 3) compatible	
Printing Method		Peever (IPX/SPX), LPD / LPR (TCP/IP), IPP (TCP/IP), AppleTalk (EtherTalk), Bonjour (TCP/IP), Web service printing (TCP/IP), NPrinter / RPrinter (IPX/SPX), Raw Port (TCP/IP), SMB	
Applicable OS	PS Plug-in	Windows Vista / Server 2008 / 7 / 8.1 / Server 2012* MacOSX 10.6 / 10.7 / 10.8 / 10.9 / 10.10 PS PPD* Windows Vista / Server 2008 / 7 / 8.1 / Server 2012* Linux CUPS	
Interface		Ethernet (1000BASE-T / 100Base-TX / 10Base-T) with IPv6, USB	
Scanner Resolution		200 / 300 / 400 / 600 dpi	
Data Format		PDF, TIFF, JPEG, XPS	
Driver		HDD Twain Driver, Real Time Mode Twain Driver	

*1 Includes 64-bit. *2 WHQL is not obtained for the PS PPD driver

Image Controller IC-415

Type	Embedded
CPU	Conforms with main unit specification
Memory	2 GB
HDD	500GB SATA
Page-description Language	Adobe PostScript3 (PS3020), PDF 1.7, PCL 5/6 emulation
Printing Method	TCPIP, SNMP, SMB, FTP, LPR, IPP, Bonjour
Applicable OS	Windows Vista / 7 / 8.1 / Server 2008* MacOSX 10.6 / 10.7 / 10.8 / 10.9 / 10.10 200 / 300 / 400 / 600 dpi
Scanner Resolution	PDF, TIFF, JPEG
Data Format	PDF, TIFF, JPEG
Driver	Twain Plug-in

*1. Including 64-bit versions.

Options

Reverse Automatic Document Feeder DF-626

Paper Type	Normal original mode	Simplex original mode: 35 gsm to 210 gsm Duplex original mode: 50 gsm to 128 gsm
	Mixed original mode	Simplex original mode, Duplex original mode: 50 gsm to 128 gsm A3, B4, A4, B5, A5, B6S, 11x17, 8 1/2x11
Paper Size		100 sheets (80 gsm)
Capacity		Scan Resolution: 600 dpi 42 sheets/min. Scan Resolution: 300 dpi 70 sheets/min.
Scan Speed (A4)		Supplied from the machine
Power Source		600 mm x 575 mm x 130 mm / 23.62" x 22.64" x 5.12"
Dimensions [W] x [D] x [H]		Approximately 16.7 kg / 36.82 lb
Weight		

Multi-bypass Paper Feed Unit MB-506

Paper Weight		62 gsm to 300 gsm
Paper Size		Max. 330 mm x 487 mm, Min. 100 mm x 148 mm
Tray Capacity		250 sheets (80 gsm)
Power Source		Supplied from the main body
Power Consumption		Max. 28W or less
Dimensions [W] x [D] x [H]		485 mm x 503 mm x 327 mm 19.09" x 19.8" x 12.87" (Max. dimensions of the whole unit)
Weight		Approximately 4.2 kg / 9.26 lb

Envelope Fuser Unit EF-103

Envelope weight		70 gsm to 100 gsm
Envelope Size	Paper length in the main scan direction	100 mm to 245 mm*
	Paper length in the sub scan direction	148 mm to 375 mm
Power Source		Supplied from the main body.
Power Consumption		2430W or less
Dimensions [W] x [D] x [H]		200 mm x 690 mm x 235 mm (7.87"x27.17"x9.25")
Weight		Approximately 16 kg / 35.2lb

* When the paper length is less than 139.7 mm, paper feed assist parts must be connected.

Paper Feeder Unit PF-707

Paper Size		SRA3, A3, B4, A4, B5, A5, 13x19, 12x18, 11x17, 9x11, 8 1/2x14, 8 1/2x11 Tab paper (A4, 8 1/2x11) Max. 330.2 mm x 487.7 mm, Min. 100 mm x 140 mm*
Paper Type		Plain, Fine, Color, Coated, Envelope*2
Paper Weight		62 gsm to 300 gsm
Max. Tray Capacity (80 gsm)	Upper & Middle Tray	1,390 sheets each
	Bottom Tray	1,850 sheets
	Total	4,630 sheets
Power Source		Inch : 120VAC, Metric : 230VAC
Dimensions [W] x [D] x [H]		996 mm x 772 mm x 1038 mm / 39.21" x 30.39" x 40.87"
Weight		203 kg / 447.4 lb

*1 For the paper whose width is less than 140 mm, use the small size guide. *2 Only upper tray supports envelopes.

Paper Feeder Unit PF-602m

Paper Size		SRA3, A3, B4, A4, B5, A5, 13x19, 12x18, 11x17, 9x11, 8 1/2x14, 8 1/2x11 Tab paper (A4, 8 1/2x11) Max. 330 mm x 487 mm, Min. 100 mm x 182 mm Tray (upper): Max. 330 mm x 487 mm, Min. 100 mm x 148 mm Tray (lower): Max. 330 mm x 487 mm, Min. 100 mm x 148 mm
Paper Type		Plain, Fine, Coated paper
Paper Weight		62 gsm to 256 gsm
Max. Tray Capacity (80 gsm)	Upper Tray	62 gsm to 300 gsm
	Lower Tray	62 gsm to 300 gsm
Power Source		6,000 sheets (3,000 sheets x2) Supplied both from the main body.
Power Consumption		DC: 90W or less, AC: 100W or less
Dimensions [W] x [D] x [H]		947 mm x 750 mm x 1,045 mm / 37.28" x 29.53" x 41.14"
Weight		Approximately 170 kg / 374.78 lb

Large Capacity Unit LU-202

Paper Size		SRA3, A3, B4, A4, B5, 13x19, 12x18, 11x17, 9x11, 8 1/2x14, 8 1/2x11 Tab paper (A4, 8 1/2x11) Max. 330 mm x 487 mm, Min. 210 mm x 182 mm*1 Plain, Fine, Coated paper
Paper Type		Plain, Fine, Coated paper
Paper Weight		62 gsm to 300 gsm
Paper Capacity (80 gsm)		2,500 sheets*2
Power Source		Supplied both from the main body.
Max. Power Consumption		DC: 70W or less AC: 50W or less (Not including HT-503)
Dimensions [W] x [D] x [H]		710 mm x 639 mm x 477 mm / 27.95" x 25.16" x 18.78"
Weight		Approximately 42 kg / 92.59 lb

*1 Available types of paper weighing 300 gsm are limited to specific types. *2 Stacked height 275 mm

Relay Unit RU-509

Paper Size		Max. 330 mm x 487 mm, Min. 100 mm x 140 mm
Paper Weight		62 gsm to 300 gsm
Power Source		Supplied from the machine.
Dimensions [W] x [D] x [H]		410 mm x 735 mm x 1,020 mm / 16.14" x 29" x 40.14"
Weight		Approximately 60 kg / 176-1/4 lb

Paper Humidifier HM-102

Paper Type		Same as the main body.
Power Source		24/5 VDC (Supplied from RU-509)

* For Humidifier ON mode, Envelope or Coated, PrePrinted, Blank Insert Sheet, Embossed, and Embossed2 with the weight under 135 gsm or less cannot be used.

Finisher FS-531

Paper Weight (Staple Mode)		62 gsm to 209 gsm
Paper Size (Staple Mode)		Max. 314 mm x 458 mm, Min. 182 mm x 148 mm
Paper Capacity (80 gsm)	Non-sort mode, Sort/group mode	Max. 3,000 sheets(A4, B5, 8 1/2x11)
	Staple mode	*2 to 9: 100 sets (Direction: 150 mm to 417 mm) / 50 sets (Other) *10 to 20: 50 sets *21 to 30: 30 sets *31 to 40: 25 sets *41 to 50: 20 sets

Stapling Mode Types (Staple Position)	Corner stapling 2 staplings	Parallel or diagonal depending on paper size Center spreading 182 mm pitch
Power Source		Supplied from the main body.
Max. Power Consumption		80W or less
Dimensions [W] x [D] x [H]		424 mm* x 656 mm x 990 mm / 16.69"* x 25.82" x 39" Width including the primary (main) tray (with the edge closed): 674.5 mm / 26.56" Width including the primary (main) tray (with the edge pulled out): 790.5 mm / 31.12"
Weight		Approximately 60 kg / 132.28 lb

* Excluding the primary (main) tray

Post Inserter PI-502 *Optional Mount Kit MK-732 with FS-532 is required.

Paper Size	Upper Tray	A4, B5, A5, 9x11, 8 1/2x11
	Lower Tray	SRA3, A3, B4, A4, B5, A5, 12x18, 11x17, 8 1/2x14, 8 1/2x11
Paper Capacity (80 gsm)		Max. 200 sheets
Power Source		Supplied from Finisher FS-532
Dimensions [W] x [D] x [H]		511 mm x 620 mm x 220 mm / 20.14" x 24.12" x 8.34"
Weight		Approximately 10.5 kg / 23-1/2 lb

Banner Kit MK-740

Applicable models	Feeding system	MB-506
	Output system	OT-502 TypeB/FS-612/FS531/FS-532 TypeB
Paper Size		Max. 330x1,200mm Min. Width100mm
Paper Weights		128 to 256 gsm
Paper Type		Plain, Fine, Coated paper
Capacity		10 sheets (Plain paper) 1 sheets (Coated paper)

Large Capacity Stacker LS-506

Paper Size	Stacker tray mode	Max. 331 mm x 483 mm, Min. 210 mm x 148 mm
	Sub tray mode	Max. 330 mm x 487 mm, Min. 100 mm x 148 mm
Paper Weight	Stacker tray mode	62 gsm to 300 gsm
	Sub tray mode	62 gsm to 300 gsm
Paper Capacity(80 gsm)	Stacker tray mode	Max. 5,000 sheets
	Sub tray mode	200 sheets (Z-Fold: 20 sheets, Centre-Fold: 40 sheets)
Power Source		Supplied from the main unit
Max. Power Consumption		100VAC to 240VAC, 5VDC (supplied from the main body)
Dimensions [W] x [D] x [H]		785 mm x 723 mm x 1,020 mm / 30" x 28-1/2" x 48-1/2"
Weight		Approximately 110 kg / 242-1/2 lb

Specifications

Finisher FS-612

Paper Weight	Staple / Saddle Stitching / Half-Fold mode	62 gsm to 105 gsm
Paper Size (S: Short Edge Feed)	Staple mode Saddle stitching mode Half-Fold mode Tri-Folding mode	Max. 314 mm x 458 mm, Min. 182 mm x 140 mm, 182 x 148 mm*1 Max. 314 mm x 458 mm, Min. 210 mm x 279 mm Max. 314 mm x 458 mm, Min. 210 mm x 279 mm A4S, 8 1/2x11S
Paper Capacity (80 gsm)	Non-sort mode, Sort / Group mode	Max. 2,500 sheets A4, A4S, B5, 8 1/2x11, 1,500 sheets SRA3 *, A3, B4, 12x18, 11x17, 8 1/2x14
Paper Capacity (Booklet Tray)	Paper Weight Saddle Stitching mode	62 gsm to 300 gsm Length in the sub scan direction: 299 mm or less: 15 sets with 5 sheets Other than the above: 20 sets with 5 sheets
	Folding mode	Length in the sub scan direction: 299 mm or less: 25 sets with 3 sheets folding Other than the above: 33 sets with 3 sheets folding
	Tri-Folding mode	50 sets with 1 sheet folding
	Paper Weight	62 gsm to 105 gsm
Paper Capacity (Sub Tray)		Max. 100 sheets SRA3, A3, B4, A4, 13x19, 12x18, 11x17, 9x11, 8 1/2x14
Power Source		Supplied from the main body.
Max. Power Consumption		80W or less
Dimensions [W] x [D] x [H]		424 mm*2 x 656 mm x 990 mm / 16.69"*2 x 25.83" x 39" Width including the primary (main) tray (with the edge closed): 674.5 mm / 26.56" Width including the primary (main) tray (with the edge pulled out): 790.5 mm / 31.12"
Weight		65kg/ 143.3 lb

*1 Non-sort mode only *2 Excluding the primary (main) tray

Punch Kit PK-512/513

Hole Pitch	PK-512 PK-513	80 mm (2 holes / 4 holes), 108 mm (3 holes) 21 mm, 70 mm, 21 mm (Swedish 4 holes)
Paper Weight		62 gsm to 128 gsm
Paper Size		2 holes: A3, B4, A4, B5, 11x17, 8 1/2x14, 8 1/2x11 3/4 holes: A3, B4, A4, B5, 11x17, 8 1/2x11
Power Source		Supplied from the main body.
Max. Power Consumption		40W or less
Dimensions [W] x [D] x [H]		130 mm x 470 mm x 115 mm / 5.12" x 18.5" x 4.53"
Weight		Approximately 3 kg / 6.61 lb

Finisher FS-532

Paper Weight	Staple mode Straight/Shift mode	Staple mode: 62 gsm to 300 gsm Straight / Shift mode: 62 gsm to 300 gsm Max. 330 mm x 488 mm, Min. 203 mm x 148 mm Max. 330 mm x 487 mm, Min. 100 mm x 148 mm (Using small size guides)
Paper Capacity (80 gsm)		Max. 4,500 sheets (Main + Sub tray)
Stapling Mode Types		Corner stapling: Horizontal, Vertical 2-point stapling: Centre