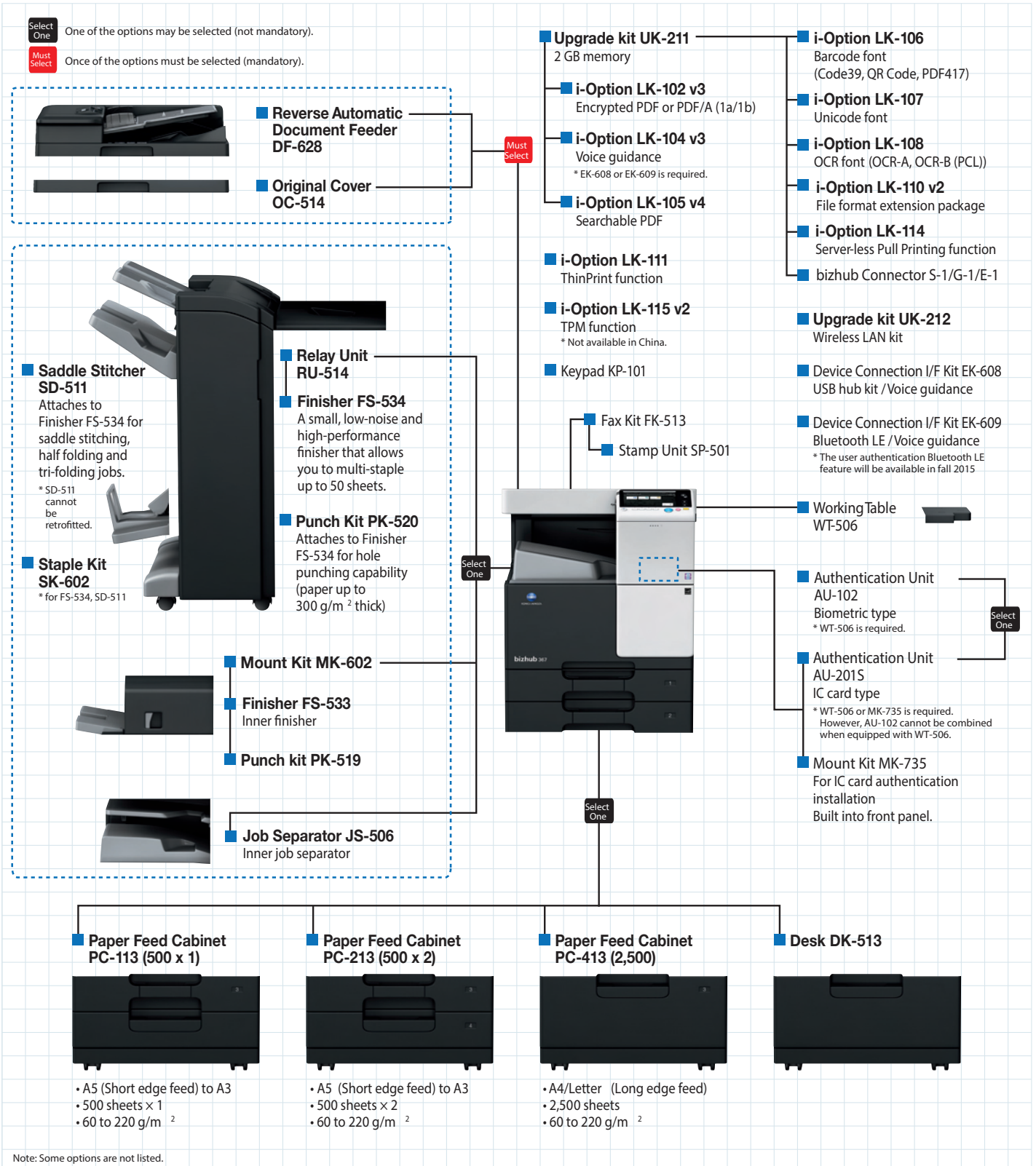




KONICA MINOLTA

bizhub 367/287 Spec Sheet

System



Note: Some options are not listed.

Specifications

bizhub 367/287 General Specifications

		bizhub 367	bizhub 287
Type	Desktop Printer / Copier / Scanner		
Copy Resolution	Scan	Main: 600 dpi Sub: 600 dpi	
	Print	1,800 dpi (equivalent) 600 dpi	
Gradation	256		
Memory Capacity (Std./Max.)	2 GB/4 GB		
HDD	250 GB (optional)		
Original Type	Sheets, Books, Objects		
Max. Original Size	A3 (11" 17")		
Output Size	Main unit: A3 to A5, 11" 17" to 8-1/2" 11", 5-1/2" 8-1/2", 8" 13" 17", 16K, 8K Bypass Tray: A3 to A5, B6", A6", 11" 17" to 5-1/2" 8-1/2", 8" 13" 17", 16K, 8K, Postcard (A6 (4" 6" Card)), Envelope 3, Label sheet, Tab paper		
Image Loss	Max. 4.2mm or less for top edge (5 mm for thin paper), Max. 3.0mm or less for bottom edge, Max. 3.0mm or less for right/left edges *A loss of 4.2 mm each during printing.		
Warm-Up Time** (23 C, std. voltage)	20 sec. or less		
* The time required to start printing when both the main power and sub-power switches are turned from OFF to ON.			
* The time required to start printing when the main power switch is ON and the sub-power switch is turned from OFF to ON.			
First Copy Out Time**	4.5 sec. or less		5.3 sec. or less
Copy Speed (A4)	36 ppm		28 ppm
Copy Magnification	Fixed Same Magnification	1: 1 0.5% or less	
	Scaling Up	1: 1.154/1.224/1.414/2.000	
	Scaling Down	1: 0.866/0.816/0.707/0.500	
	Preset	3 types	
	Zoom	25 to 400% (in 0.1% increments)	
	Lengthwise Crosswise Individual Settings	25 to 400% (in 0.1% increments)	
Paper Capacity (80 g/m ²)	Tray 1	500 sheets (up to B4)	
	Tray 2	500 sheets (up to A3)	
	Multiple Bypass Tray	100 sheets (up to A3)	
Max. Paper Capacity (80 g/m ²)**	3,600 sheets		
Paper Weight	Tray 1 / 2	60 to 220 g/m ²	
	Multiple Bypass Tray	60 to 220 g/m ²	
Multiple Copy	1 to 9,999 sheets		
Auto Duplex	Paper Size	A3 to A5", B5", 11" 17" to 5-1/2" 8-1/2" 13", 7-1/4" 10-1/2", 8" 13" 17", 16K, 8K**	
	Paper Weight	60 to 209 g/m ²	
Power Requirements	AC230 V 7 A (50 to 60 Hz)		
Max. Power Consumption	1.5 kW or less		
Dimensions [W] [D] [H]	585 660 735 mm (23-1/16" 26" 28-15/16")		
Weight	Approx. 56.5 kg (124-1/2 lb)		
Space Requirements [W] [D]* 8	899 1,172 mm (35-1/2" 46-1/4")		

*1 There are six types of fooscap: 8-1/2" 13-1/2" 220 mm 330 mm 330 mm 330 mm 330 mm 330 mm, 8-1/2" 13" 220 mm, 8-1/4" 13" 220 mm, 8-1/8" 13-1/4" 220 mm, and 8" 13" 220 mm. Any one of these sizes is selectable. For details, contact your service representative.

*2 Short edge feed

*3 Wrinkles or printing errors may occur due to the type, storage or environment that exists when envelope printing is carried out.

*4 May vary depending on the operating environment and usage.

*5 A4 long edge feed full size/using the first tray/scanning from the original glass surface.

*6 With options installed.

*7 Long edge feed

*8 Without options, with paper trays pulled out and multiple bypass tray openned.

Printer Specifications

Type	Embedded		
CPU	ARM Cortex-A7 Dual-core 1.2GHz		
Memory	Shared with the copier		
Print Speed	Same as Copy Speed (when using the same original)		
HDD (Optional)	250 GB (Shared with the copier)		
Print Resolution	1,800 dpi (equivalent) 600 dpi		
PDL	PCL 6, PostScript 3 Emulation, XPS		
Protocol	TCP/IP, IPX/SPX (NDS support), SMB (NetBEUI), LPD, IPP1.1, SNMP, AppleTalk		
Support OS	Windows Vista*1 / 7*1 / 8*1 / 8.1*1 Windows Server 2003*1 / 2003 R2*1 / 2008*1 / 2008 R2 / 2012 / 2012 R2 Mac OS X (10.6 / 10.7 / 10.8 / 10.9 / 10.10) Linux		
Fonts	PCL	80 Roman fonts	
	PS	137 Roman Type1 fonts	
Interface	Ethernet (10BASE-T/100BASE-TX/1000BASE-T), USB 1.1, USB 2.0, IEEE 802.11 b/g/n*2		

*1 Supports the 32-bit (x86) or 64-bit (x64) environment.

*2 Optional

Scanning Specifications

Type	Full-Colour Scanner		
Interface	Ethernet (10BASE-T/100BASE-TX/1000BASE-T), IEEE 802.11 b/g/n*1		
Driver	TWAIN Driver, HDD TWAIN Driver		
Protocol	TCP/IP (FTP, SMB, SMTP WebDAV) (IPv4/IPv6)		
Scanning Speed (Colour/B&W) (300 dpi, A4, Simplex)	45 opm**		
Scanning Size	Max. A3 (11" 17")		
Output Format	TIFF, JPEG, PDF, Compact PDF, XPS, Compact XPS, OOXML (pptx, xlsx*, docx*), Searchable PDF*, PDF/A*, Linearised PDF*1		
Scanning Resolution	Push	200 dpi / 300 dpi / 400 dpi / 600 dpi	
	Pull	100 dpi / 200 dpi / 300 dpi / 400 dpi / 600 dpi	
Main Functions	Scan to E-Mail, Scan to FTP, Scan to BOX (HDD), Scan to PC (SMB), Network TWAIN, Scan to WebDAV, Scan to USB, Scan to Scan Server, Scan to Web Service (WSD-Scan), Device Profile for Web Services (DPWS)		
Other Functions	Multi-Method Send, Authentication at the time of E-Mail send (SMTP authentication, POP before SMTP), S/MIME, Annotation		

*1 Optional

*2 When using the Reverse Automatic Document Feeder DF-628.

Internet Fax

Protocol	TX: SMTP, RX: POP3, TCP/IP Simple mode		
Connection Mode	Full-Mode		
Sending Paper Size	A3, B4, A4		
Recording Paper Size	Max. A3		
Resolution	B/W: 200 100 dpi, 200 200 dpi, 400 400 dpi, 600 600 dpi Colour: 200 200 dpi, 400 400 dpi, 600 600 dpi		
Interface	Ethernet (10BASE-T/100BASE-TX/1000BASE-T)		
Colour	Support Colour Internet Fax		
Format	B/W: TIFF-F Colour: TIFF (Conforms to RFC3949 Profile-C)		

Fax Kit FK-513 (Optional)

Communication	Super G3		
Compatible Lines	Public Switch Telephone Network, Private Branch Exchange, Fax Communication Line		
Line Density	Ultra Fine: 600 dpi 600 dpi		
	Super Fine: 16 dot/mm 15.4 line/mm, 400 dpi 400 dpi		
	Fine: 8 dot/mm 7.7 line/mm, 200 dpi 200 dpi		
	Normal: 8 dot/mm 3.85 line/mm		
Modem Speed	2.4 to 33.6 kbps		
Compression	MH/MR/MMR/JBIG		
Sending Paper Size	Max. A3 (Long Length Support: Max. 1,000 mm)		
Recording Paper Size	Max. A3 (Long Length Max. 1,000 mm — following the page division —)		
Transmission Speed	Less than 2 sec. (A4, V34, 33.6 kbps, JBIG)		
Memory	Shared with the copier		
Number of Abbr. Dials	2,000		
Number of Program Dials	400		
Number of Group Dials	100		
Sequential Multiple Station Transmission	Max. 600		

IP Address Fax *Optional Fax Kit FK-513& HD-522 are required.

Protocol Transmission	TCP/IP SMTP		
Sending Paper Size	A3, B4, A4		
Resolution	200 200 dpi, 400 400 dpi, 600 600 dpi		
Format	B/W: TIFF-F, TIFF-S Colour: TIFF, PDF		



Reverse Automatic Document Feeder DF-628 (Optional)

Type	Circulatory duplex system		
Support Paper Size	Max. A3 (Fax mode: Max. 1,000 mm)		
Mixed Size	Support		
Original Set	Centre guide		
Support Paper Weight	Simplex: 35 to 128 g/m ²		
	Duplex/Mixed Original: 50 to 128 g/m ²		
Paper Capacity	Max. 130 sheets (68 g/m ²)		
Productivity (A4, Simplex)	Simplex	Colour/B&W: 36 opm	
	Duplex	Colour/B&W: 17 opm	
Power Requirements	Supplied from the MFP main body		
Dimensions [W] [D] [H]	585 504 127 mm (23" 19-3/4" 5")		
Weight	Approx. 9 kg (19-3/4lb)		



Specifications

Finisher FS-533 (Optional) *Optional Mount Kit MK-602 is required.



Type	Finisher
Support Paper Type	Plain paper (60 to 90 g/m ²), Thick paper (91 to 220 g/m ²), Transparency, Envelope, Label sheet, Letterhead paper, Tab paper
Support Paper Size	A3 to A5, B6 ¹ , A6 ¹ , 11" 17" to 5-1/2" 8-1/2", 16K, 8K, Postcard (A6 (4" 6" Card))
Mode	Sort, Group, Offset Sort, Offset Group, Staple
Stacking Capacity	500 sheets (60 to 90 g/m ² , A4 ¹ or smaller) 250 sheets (60 to 90 g/m ² , B4 or larger) 10 sheets (91 to 220 g/m ² , special paper)
Staple Capacity	50 sheets (60 to 90 g/m ² , A4 ¹ or smaller) 30 sheets (60 to 90 g/m ² , B4 or larger) 2 sheets (91 to 209 g/m ² , as cover pages)
Power Requirements	Supplied from the MFP main body
Max. Power Consumption	40 W or less
Dimensions [W] [D] [H]	472.5 583.5 194.7 mm (18-1/2" 23" 7-3/4")
Weight	Approx. 12 kg (26-1/2 lb)

*1 Short edge feed

Punch Kit PK-519 (Optional)



Applicable	Finisher FS-533
Number of holes	2 holes or 4 holes
Support Paper Type (Weight)	Plain paper (60 to 90 g/m ²), Thick paper (91 to 157 g/m ²)
Support Paper Size	A3 to B5, 11" 17" to 7-1/4" 10-1/2"
Power Requirements	Supplied from Finisher FS-533
Dimensions [W] [D] [H]	110.2 483.5 203.2 mm (4-1/2" 19" 8")
Weight	Approx. 3.2 kg (7 lb)

Job Separator JS-506 (Optional)



Support Paper Type (Weight)	Tray 1	Plain paper (60 to 90 g/m ²), Thick paper (91 to 220 g/m ²), Transparency, Envelope, Label sheet
	Tray 2	Plain paper (60 to 90 g/m ²), Thick paper (91 to 220 g/m ²), Transparency, Envelope, Label sheet
Support Paper Size		A3 to A5, B6 ¹ , A6 ¹ , 11" 17" to 5-1/2" 8-1/2", 16K, 8K, Postcard (A6 (4" 6" Card))
Stacking Capacity	Tray 1	100 sheets (60 to 90 g/m ²)
	Tray 2	150 sheets (60 to 90 g/m ²)
Power Requirements	Supplied from MFP main body	
Max. Power Consumption	24 W or less	
Dimensions [W] [D] [H]	451 469 227 mm (17-3/4" 18-1/2" 9")	
Weight	Approx. 1.5 kg (3-1/4 lb)	

*1 Short edge feed

Finisher FS-534 (Optional)



Type	Finisher	
Support Paper Type	Plain paper (60 to 90 g/m ²), Thick paper (91 to 220 g/m ²), Transparency, Envelope, Label sheet, Letterhead paper, Tab paper	
Support Paper Size	A3 to A5, B6 ¹ , A6 ¹ , 11" 17" to 5-1/2" 8-1/2", 16K, 8K, Postcard (A6 (4" 6" Card))	
Mode	Sort, Group, Offset Sort, Offset Group, Staple	
Stacking Capacity	Output tray 1 (Sub tray)	200 sheets (60 to 90 g/m ²) 20 sheets (91 to 220 g/m ² , special paper)
	Output tray 2 (Main tray)	3,000 sheets (60 to 90 g/m ² , A4 ¹ or smaller, B5 or larger) *2,000 sheets when SD-511 is installed 1,500 sheets (60 to 90 g/m ² , B4 or larger) 500 sheets (60 to 90 g/m ² , A5 or smaller) 20 sheets (91 to 220 g/m ² , special paper)
	Output tray 3 (Relay Unit top surface)	100 sheets (60 to 90 g/m ²) 20 sheets (91 to 220 g/m ² , special paper)
	Staple Capacity	50 sheets (Plain Paper 60 to 90 g/m ²) 48 sheets (Plain paper 60 to 90 g/m ²) + 2 sheets (Thick paper 91 to 209 g/m ²) 30 sheets (Thick paper 91 to 120 g/m ²) 15 sheets (Thick paper 121 to 209 g/m ²)
Power Requirements	Supplied from the MFP main body	
Max. Power Consumption	56 W or less	
Dimensions [W] [D] [H]	528 641 1,023 mm (20-3/4" 25-1/4" 40-1/4")	
Weight	Approx. 40 kg (88-1/4 lb)	

*1 Short edge feed

Saddle Stitcher SD-511 (Optional)



Applicable	Finisher FS-534
Support Paper Type	Centre Staple: 60 to 90 g/m ² Half-Fold: 60 to 209 g/m ² (more than 91 g/m ² Thick paper can be used only as a cover page) Tri-Fold: 60 to 90 g/m ²
Support Paper Size	Centre Staple, Half-Fold: A3, B4, A4 ¹ , 11" 17", 8-1/2" 14", 8-1/2" 11" ¹ , 8K Tri-Fold: A4 ¹ , 8-1/2" 11" ¹ , 16K ¹
Maximum Number of Sheets that can be Centrestapled	20 (60 to 90 g/m ²) sheets, or 19 (90 g/m ²) sheets + Thick (209 g/m ²) 1 sheet
Maximum Number of Folded Sheets	Half-Fold: 5 sheets or Thick (91 to 209 g/m ²) 1 sheet, Tri-Fold: 3 sheets
Stacking Capacity	1 to 3 sheets: 20 sets 4 to 10 sheets: 10 sets 11 to 20 sheets: 5 sets Tri-Fold (1 sheet): 30 sets Tri-Fold (2-3 sheets): 10 sets
Power Requirements	Supplied from Finisher FS-534
Dimensions [W] [D] [H]	210 556 547 mm (8-1/2" 21-3/4" 21-1/2")
Weight	Approx. 24 kg (53 lb)

*1 Short edge feed

Punch Kit PK-520 (Optional)



Applicable	Finisher FS-534
Number of holes	2 holes or 4 holes
Support Paper Type (Weight)	Plain paper (60 to 90 g/m ²), Thick paper (91 to 220 g/m ²)
Support Paper Size	A3 to B5, 11" 17" to 7-1/4" 10-1/2", 16K, 8K
Power Requirements	Supplied from Finisher FS-534
Dimensions [W] [D] [H]	61 492 142 mm (2-1/2" 19-1/2" 5-1/2")
Weight	Approx. 1.8 kg (4 lb)

Paper Feed Cabinet PC-113 (Optional)



Support Paper Type (Weight)	Plain paper (60 to 90 g/m ²) Thick paper (91 to 220 g/m ²)
Support Paper Size	A3 to A5 ¹ , 11" 17" to 5-1/2" 8-1/2", 8" 13", 16K, 8K
Paper Capacity Top tray (Tray 3)	Plain paper: 500 sheets, Thick paper: 150 sheets
Power Requirements	Supplied from the MFP main body
Dimensions [W] [D] [H]	615 652 246 mm (24-1/4" 25-3/4" 9-3/4")
Unit Configuration	Paper tray, 1 level
Weight	Approx. 22 kg (48-1/2 lb)

*1 Short edge feed

Paper Feed Cabinet PC-213 (Optional)



Support Paper Type (Weight)	Plain paper (60 to 90 g/m ²) Thick paper (91 to 220 g/m ²)	
Support Paper Size	A3 to A5 ¹ , 11" 17" to 5-1/2" 8-1/2", 8" 13", 16K, 8K	
Paper Capacity	Top tray (Tray 3)	Plain paper: 500 sheets, Thick paper: 150 sheets
	Bottom tray (Tray 4)	Plain paper: 500 sheets, Thick paper: 150 sheets
Power Requirements	Supplied from the MFP main body	
Dimensions [W] [D] [H]	615 652 246 mm (24-1/4" 25-3/4" 9-3/4")	
Unit Configuration	Paper tray, 2 level	
Weight	Approx. 24 kg (53 lb)	

*1 Short edge feed

Paper Feed Cabinet PC-413 (Optional)



Support Paper Type (Weight)	Plain paper (60 to 90 g/m ²) Thick paper (91 to 220 g/m ²)
Support Paper Size	A4 ¹ , 8-1/2" 11" ¹
Paper Capacity	Plain paper: 2,500 sheets, Thick paper: 1,000 sheets
Power Requirements	Supplied from the MFP main body
Dimensions [W] [D] [H]	615 652 246 mm (24-1/4" 25-3/4" 9-3/4")
Unit Configuration	Paper tray, 2 level
Weight	Approx. 23 kg (50-3/4 lb)

*1 Long edge feed

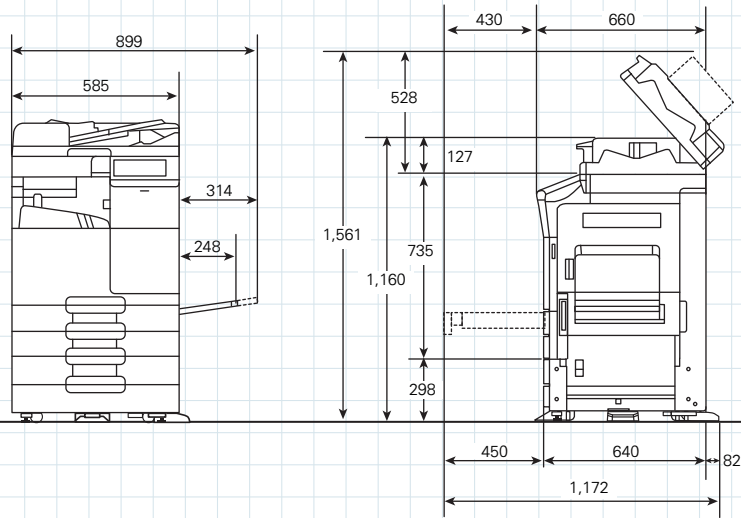
Authentication Unit (IC Card type) AU-201S (Optional)

Applicable Card	ISO 14443 TypeA/B Mifare, FeliCa-based noncontact IC card, ISO 18092-based device
Interface	USB 2.0
Power Supply	Power received from USB port
Dimensions [W] [D] [H]	98 64 13 mm (3-7/8" 2-1/2" 1/2") (not including projections)
Weight	Approx. 100 g (1/4 lb)

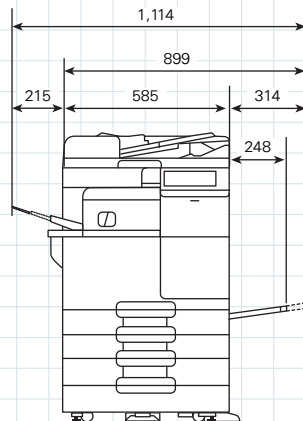
Authentication Unit (Biometric type) AU-102 (Optional)

Biometric Sensor System	Transmission-type optical system
Interface	USB 2.0
Verification Time	Approx. 1 sec. or less
Max. Power Consumption	DC 5 V 500 mA
Dimensions [W] [D] [H]	59 82 74 mm (2-1/4" 3-1/4" 3")
Weight	Approx. 96 g (1/4 lb) (excluding USB cable)

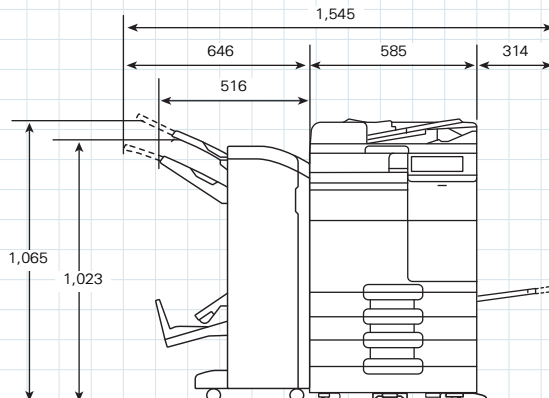
■ bizhub 367/287 + DF-628 + PC-213 (PC-113/PC-413/DK-513)



■ bizhub 367/287 + DF-628 + PC-213 (PC-113/PC-413/DK-513) + FS-533



■ bizhub 367/287 + DF-628 + PC-213 (PC-113/PC-413/DK-513) + FS-534 + SD-511



Konica Minolta Business Solutions Middle East FZE

Jebel Ali Free Zone Dubai, UAE

Telephone +971 4 880 8 388

For more information please visit the bizhub website at

www.konicaminolta.com/me

Presence in the region

Dubai, Kingdom of Saudi Arabia, Kingdom of Bahrain, Kuwait, Qatar, Sultanate of Oman, Lahore Pakistan, Republic of Yemen